

WABROTECH



MODEL WT620

EN	ORIGINAL USER MANUAL
PL	ORIGINALNA INSTRUKCJA OBSŁUGI
DE	ORIGINAL-BENUTZERHANDBUCH
FR	MANUEL D'UTILISATION ORIGINAL
CZ	ORIGINÁLNÍ UŽIVATELSKÁ PŘÍRUČKA
SK	ORIGINÁLNY NÁVOD NA POUŽÍVANIE



EN Please read and keep this manual. Read carefully before assembling, installing, operating or maintaining the product. Protect yourself and others by following all safety information. Failure to follow the instructions may result in personal injury and/or property damage! Keep these instructions for future reference.

PL Proszę przeczytać i zachować tę instrukcję. Przeczytaj uważnie przed przystąpieniem do montażu, instalacji, obsługi lub konserwacji produktu. Chroń siebie i innych, przestrzegając wszystkich informacji dotyczących bezpieczeństwa. Nieprzestrzeganie instrukcji może spowodować obrażenia ciała i/lub zniszczenie mienia! Zachowaj instrukcję do wykorzystania w przyszłości.

DE Bitte lesen Sie dieses Handbuch und bewahren Sie es auf. Lesen Sie die Anleitung sorgfältig durch, bevor Sie das Produkt zusammenbauen, installieren, bedienen oder warten. Schützen Sie sich und andere, indem Sie alle Sicherheitshinweise befolgen. Die Nichtbeachtung der Anweisungen kann zu Personen- und/oder Sachschäden führen! Bewahren Sie diese Anleitung zum späteren Nachschlagen auf.

FR Veuillez lire et conserver ce manuel. Lisez attentivement avant d'assembler, d'installer, d'utiliser ou d'entretenir le produit. Protégez-vous et protégez les autres en suivant toutes les informations de sécurité. Le non-respect des instructions peut entraîner des blessures corporelles et/ou des dommages matériels ! Conservez ces instructions pour référence future.

CZ Přečtěte si prosím tento návod a uschovejte jej. Před montáží, instalací, provozem nebo údržbou produktu si pozorně přečtěte. Chraňte sebe i ostatní dodržováním všech bezpečnostních informací. Nedodržení pokynů může vést ke zranění osob a/nebo škodě na majetku! Uschovejte si tyto pokyny pro budoucí použití.

SK Prečítajte si a uschovajte tento návod. Pred montážou, inštaláciou, prevádzkou alebo údržbou produktu si pozorne prečítajte. Chráňte seba a ostatných dodržiavaním všetkých bezpečnostných informácií. Nedodržanie pokynov môže viesť k zraneniu osôb a/alebo poškodeniu majetku! Uschovajte si tieto pokyny pre budúce použitie.

WT 620

EN

DEFINITIONS OF PICTOGRAMS USED IN THE INSTRUCTIONS:.....	4
1. SAFETY TIPS.....	4
2. WT620 CONSTRUCTION.....	9
3. TECHNICAL DATA.....	9
4. PURPOSE OF THE CONCRETE CUTTING MACHINE.....	10
5. POWER NETWORK.....	10
6. OPERATING THE APPLIANCE.....	10
7. TROUBLESHOOTING.....	10

PL

DEFINICJE UŻYTYCH W INSTRUKCJACH PIKTOGRAMÓW:	12
1. WSKAZÓWKI BEZPIECZEŃSTWA.....	12
2. BUDOWA WT620.....	18
3. DANE TECHNICZNE.....	18
4. PRZEZNACZENIE PRZECINRKI DO BETONU.....	18
5. SIEĆ ZASILAJĄCA.....	19
6. OBSŁUGA URZĄDZENIA.....	19
7. ROZWIĄZYWANIE PROBLEMÓW	19

DE

DEFINITIONEN DER IN DER ANLEITUNG VERWENDETEN PIKTOGRAMME:.....	21
1. SICHERHEITSTIPPS.....	21
2. WT620 KONSTRUKTION.....	27
3. TECHNISCHE DATEN	27
4. ZWECK DER BETONSCHNEIDEMASCHINE.....	27
5. STROMNETZ	28
6. BEDIENUNG DES GERÄTS	28
7. FEHLERBEHEBUNG.....	28

DÉFINITIONS DES PICTOGRAMMES UTILISÉS DANS LA NOTICE :	30
--	----

FR

1. CONSEILS DE SÉCURITÉ.....	30
2. LA CONSTRUCTION DU WT620.....	36
3. DONNÉES TECHNIQUES.....	36
4. OBJECTIF DE LA MACHINE DE DÉCOUPE DU BÉTON	36
5. RÉSEAU ÉLECTRIQUE.....	37
6. FONCTIONNEMENT DE L'APPAREIL	37
7. DÉPANNAGE.....	37

CZ

DEFINICE PIKTOGRAMŮ POUŽITÝCH V NÁVODU:	39
1. BEZPEČNOSTNÍ TIPY.....	39

2. KONSTRUKCE WT620.....	44
3. TECHNICKÉ ÚDAJE.....	44
4. ÚČEL STROJE NA ŘEZÁNÍ BETONU.....	44
5. ELEKTRICKÁ SÍŤ.....	45
6. OBSLUHA SPOTŘEBIČE.....	45
7. ODSTRAŇOVÁNÍ PROBLÉMŮ.....	45
SK	
DEFINÍCIE PIKTOGRAMOV POUŽITÝCH V NÁVODE NA POUŽITIE:.....	46
1. BEZPEČNOSTNÉ TIPY.....	46
2.KONŠTRUKCIA WT620.....	51
3. TECHNICKÉ ÚDAJE.....	51
4. ÚČEL STROJA NA REZANIE BETÓNU.....	51
5. NAPÁJACIA SIEŤ.....	52
6. PREVÁDZKA SPOTREBIČA.....	52
7. RIEŠENIE PROBLÉMOV.....	52
Diagram and CE Declaration.....	53

DEFINITIONS OF PICTOGRAMS USED IN THE INSTRUCTIONS:



READ THE MANUAL



USE DUST MASKS



USE EYE PROTECTION



WEAR PROTECTIVE GLOVES



REMARK! USE GROUNDING



Electric Shock Warning



Moving Parts Warning



Store separately and dispose of according to environmental standards



Explosion Hazard Warning



Please observe the directions marked with this symbol in the text!

1. SAFETY TIPS



General safety instructions for power tools

Be sure to read all tips and regulations. Failure to follow the directions below may result in electric shock, fire, and/or serious personal injury. Keep all regulations and safety instructions carefully for further use. As used in the following text, the term "power tool" refers to power tools that are powered by electricity from the mains (with a power cord) and to power tools that are operated by batteries (without a power cord).

1. Workplace safety

- A. Keep the workstation clean and well-lit. An untidy workplace or an unlit workspace can cause accidents.
- B. Do not operate this power tool in potentially explosive environments containing, for example, flammable liquids, gases or dust. When a power tool is in operation, sparks are generated that can cause ignition.
- C. When using the appliance, make sure that children and other bystanders are kept at a safe distance. A distraction can cause you to lose control of the tool.

2. Electrical safety

- A. The plug of the power tool must match the socket. Do not alter the plug in any way. Adapter plugs must not be used for power tools with a protective earthing connection. Unchanged plugs and matching receptacles reduce the risk of electric shock.
 - B. Avoid contact with grounded surfaces such as pipes, radiators, stoves and refrigerators. The risk of electric shock is greater when the user's body is grounded.
-

- C. The device must be protected from rain and moisture. If water enters the power tool, the risk of electric shock increases.
- D. Never use the cord for other activities. Never carry a power tool by a cord or use a cord to hang the appliance; Also, do not pull the plug out of the socket by pulling on the cord. The cord should be protected from high temperatures, kept away from oil, sharp edges or moving parts of the device. Damaged or entangled cords increase the risk of electric shock.
- E. When working with a power tool in the open air, use an extension cord that is also suitable for outdoor use. Using the correct extension cord (suitable for outdoor use) reduces the risk of electric shock.
- F. If it is unavoidable to use the power tool in a humid environment, use a residual current protective device. The use of a residual current circuit breaker reduces the risk of electric shock.

3. Personal safety

- A. When working with a power tool, use caution and perform each operation carefully and with caution. Do not use a power tool when you are tired or under the influence of drugs, alcohol or medication. A moment of inattention with a power tool can cause serious personal injury.
- B. Wear personal protective equipment and safety goggles at all times. Wearing personal protective equipment – a dust mask, footwear with non-slip soles, a hard hat or hearing protection (depending on the type and use of the power tool) – reduces the risk of personal injury.
- C. Unintentional start-up of the tool should be avoided. Before inserting the plug into the socket and/or connecting to the battery pack, as well as before picking up or moving the power tool, make sure the power tool is switched off. Keeping your finger on the switch while moving a power tool or plugging in a power tool can cause an accident.
- D. Before switching on the power tool, remove the adjusting tools or wrenches. A tool or wrench found in moving parts of the appliance may lead to personal injury.
- E. Unnatural working positions should be avoided. It is important to maintain a stable working position and balance. In this way, it will be possible to better control the power tool in unforeseen situations.
- F. Appropriate clothing should be worn. Do not wear loose clothing or jewelry. Keep hair, clothing, and gloves away from moving parts. Loose clothing, jewelry or long hair can get caught in moving parts.
- G. If it is possible to install dust extraction and capture devices, make sure that they are connected and will be used correctly. The use of a dust extraction device can reduce the dust hazard.

4. Proper handling and operation of power tools

- A. Do not overload the device. Power tools that are provided for this purpose should be used for operation. With the right power tool, you work better and safer in a given performance range.
- B. Do not use a power tool whose on/off switch is damaged. A power tool that cannot be switched on or off is dangerous and must be repaired.
- C. Before adjusting the appliance, changing attachments, or after stopping operation with the tool, pull the plug out of the socket and/or remove the battery pack. This precaution prevents the power tool from being switched on unintentionally.
- D. Keep power tools out of the reach of children when not in use. Do not make the tool available to people who are not familiar with it or have not read these rules. Power tools used by inexperienced people are dangerous.

- E. Proper maintenance of the power tool is necessary. Inspect that the moving parts of the appliance are working properly and are not blocked, or that the parts are not cracked or damaged in a way that would affect the proper operation of the power tool. Damaged parts must be repaired before the appliance can be used. Many accidents are caused by improper maintenance of power tools.
- F. Power tools, attachments, auxiliary tools, etc., should be used in accordance with these recommendations. The conditions and type of work to be performed must be taken into account. Misuse of the power tool can lead to dangerous situations.

5. Service

- A. Have your power tool repaired only by a qualified professional and using original spare parts. This ensures that the security of the device is maintained.

FIRE AND EXPLOSION HAZARD



Flammable vapours from solvents and paints in the work area can ignite or explode. To prevent the outbreak of fire or explosion, you should:



1. Avoid working around flammable and combustible materials near open flames or sources of ignition, such as cigarettes, outdoor motors and other electrical appliances.
2. Static electricity poses a risk of fire or explosion in the presence of paint or solvent vapors.
3. Check that all containers and collection systems are grounded to prevent static discharge. Do not use bucket linings if they are not antistatic or conductive.
4. Maintain an adequate flow of fresh air in this space.
5. Do not smoke cigarettes in the work area.
6. Do not use light switches, motors, or similar spark-generating products in the work area.
7. Keep the area clean. It must not contain flammable materials.
8. Refer to all Material Safety Data Sheets (MSDS) and container stickers.
9. There should be working fire extinguishing equipment on site.
10. The device generates sparks. If a flammable liquid is used in or near the appliance, keep the appliance at least 6 m away from explosive vapors.



ELECTRICAL SAFETY



1. Power tool plugs must match the sockets. It is forbidden to modify the plugin in any way. Do not connect any adapters (adapters) to grounded power tools. The use of unmodified plugs and fitted outlets reduces the likelihood of electric shock.
2. Grounded tools must be connected to a properly installed and grounded outlet in accordance with all standards and ordinances. It is forbidden to remove the grounding plug or modify the plug in any way. Do not use any plug adapters. If in doubt as to whether the outlet is properly grounded, consult a qualified electrician. If power tools start to run incorrectly or break, grounding provides a way for low-resistance electricity to be dissipated from the user.
3. Avoid body contact with grounded surfaces such as pipes, heaters, refrigerators. When the user's

body is grounded, the likelihood of electric shock increases.

4. Do not expose power tools to rain or moisture. Water entering the power tool increases the risk of electric shock.
5. Use cables as intended. Never use the wiring to carry, drag, or unplug the power tool from the outlet. Keep the cable away from heat, oil, sharp edges, and moving parts. Replace damaged cables immediately. Damaged or tangled cables increase the risk of electric shock.
6. When using the power tool outdoors, use extension cords suitable for outdoor use. The use of cables adapted for outdoor use reduces the likelihood of electric shock



HAZARD OF MOVING PARTS

Moving parts can pinch, cut, or cut fingers and other parts of the body.



1. Keep out of moving parts.
2. Do not operate the equipment without protective guards and covers in place.
3. Live equipment may start without warning. Disconnect all power sources before inspecting, moving, or servicing the equipment.

HAZARD FROM IMPROPER USE OF THE APPLIANCE

Improper use of the equipment can lead to death or disability.



1. Always use suitable gloves, eye shield, and a respirator or mask when working.
2. Do not operate the appliance or work near children. Keep children away from the appliance.
3. Do not exceed the normal range or place the device on unstable ground. Good posture and balance must be maintained.
4. You need to stay focused and focus on the task at hand.
5. Do not leave the appliance unattended while it is connected to the power supply. When the device is not in use, turn it off and perform the decompression procedure.
6. Do not operate the equipment when you are tired or under the influence of drugs or alcohol.
7. Do not bend or overbend the hose.
8. Do not expose the cable to temperatures or voltages in excess of the values recommended by WABROTECH
9. Do not use the cord to move or lift equipment.

PERSONAL PROTECTIVE EQUIPMENT



Wear appropriate protective equipment while in the work area to help prevent serious injuries, including eye injury, hearing loss, toxic fumes, and burns.



These measures include, but are not limited to: safety goggles, breathing apparatus, protective clothing and gloves in accordance with the recommendations of the liquid and solvent manufacturer.



When handling power tools, be vigilant, watch what you do and use common sense. Do not use power tools when you are tired or under the influence of drugs, alcohol or medication. A moment of distraction while handling power tools can result in serious injury.

1. Wear safety equipment. Always wear safety goggles. Protective measures such as a dust mask, non-slip shoes, a hard hat or ear protectors, if used properly, will limit personal injury.
2. Avoid accidental switching. Before plugging in the appliance, make sure the circuit breaker is in the OFF position. Placing your finger on the switch during handling or plugging in appliances with the circuit breaker in the ON position increases the risk of accidents.
3. Remove the adjusting key before turning on the appliance. A wrench attached to a rotating part of the tool may result in personal injury.
4. Do not overstretch. Adopt a stable position during operation. This ensures better control of the power tool in case of unexpected situations.
5. Wear appropriate attire. Do not wear loose items of clothing or jewelry. Keep hair, clothing, and gloves away from moving parts. Loose clothes, jewelry or long hair can get caught and stuck in moving parts.
6. If dust extraction and collection instruments are supplied, make sure they are connected and used properly. The use of these devices can reduce the risk associated with dust.

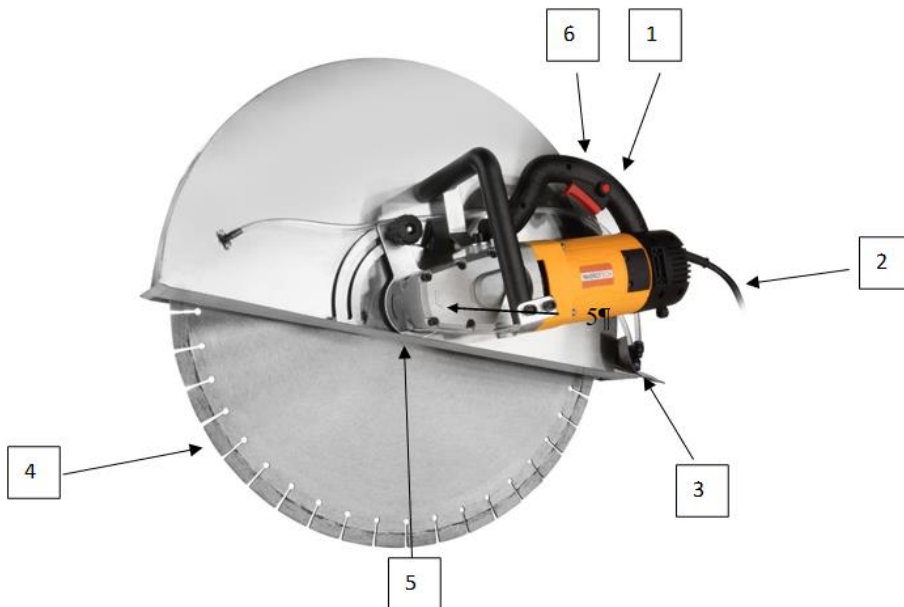
CONNECTION TO THE POWER SUPPLY



The mains voltage must correspond to the voltage indicated on the rating plate of the appliance. Under no circumstances should the tool be used if the power cable is damaged. A damaged cord must be replaced immediately by an authorized Customer Service Center. Do not attempt to repair a damaged cord yourself. The use of damaged power cables can lead to electric shock.

IMPORTANT: use only a three-wire extension cord that has a grounding plug with two pins and a hole and a socket into which the appliance plug can be inserted, with two holes and a pin. Make sure the extension cord is in good condition. When using an extension cord, you should be sure that it has sufficient parameters to conduct the current that the device may draw. A cable with too weak parameters will cause a drop in the mains voltage, resulting in power losses and overheating. It is recommended to use a wire with a cross-section of 3×1.5 mm. If the extension cord is to be used outdoors, it must be marked W-A after the wire type has been determined. For example, the designation SJTW-A would indicate that the cable is suitable for outdoor use.

2. WT620 CONSTRUCTION



1	Handle	It allows you to transport the cutter and guide it safely during operation.
2	Power cord	Power supply 230V/ 40-60Hz
3	Water connection	Delivers coolant to the discs.
4	Concrete cutting disc	620mm blade for cutting concrete.
5	Water connection	It allows you to connect a water supply hose to the machine discs.
6	Security Screw	Screw to secure the cutting wheel.

3. TECHNICAL DATA

Engine Model/Power	WT620 / 2600 W
Voltage / Frequency / Fuse	230V/40-60Hz/20C (Check machine nameplate)
Maximum cutting depth	260 mm
Maximum RPM	2500 rpm

Soft-start	YES
PRCD	YES
Net/ugly waga	19/23 kg

4. PURPOSE OF THE CONCRETE CUTTING MACHINE

The WT620 2600 Watt Concrete Cutter is designed for work that involves making recesses in masonry or cutting through hard materials such as concrete, paving stones or natural stone. Maximum cutting depth up to 260 mm. Thanks to its lightweight design, the device is extremely ergonomic to use.

The equipment is equipped with a sprinkler system. Thanks to this system, significantly less dust is released into the air during cutting, and the blades are gently cooled, which increases their service life. The saw cuts the material instead of grinding it. An ideal solution if you want to make almost dust-free cutting.

5. POWER NETWORK

Before connecting the machine, make sure that the supply voltage corresponds to the voltage indicated on the plate rated value. The installation supplying the machine should be made with a copper conductor with a minimum cross-section of at least 2.5. The power supply system must be equipped with a well-functioning protective system and must meet the requirements of the safety regulations for use.

Position the electrical cable so that it is not exposed to damage during operation. If you need to use an extension cable, you should choose its length so that the excess does not interfere with your work. The extension cord should also be equipped with a protective wire. Do not switch off the plug by pulling on the power cable.

In the event of a power interruption and the machine stops, it is mandatory to release the switch button and remove the plug from the socket. Once you have determined the causes of the power outage and resolved the problem, you can continue working. Do not leave the machine unattended when connected to the mains. In the event of a break in work or after its completion, it is imperative to disconnect the machine from the mains by removing the plug from the power socket.

6. OPERATING THE APPLIANCE

1. We check the technical condition of the device in terms of damage. If everything is visually functional, we can proceed to turn on the machine.
2. Insert the appropriate disc and tighten the safety screw with washer.
3. If necessary, connect the vacuum cleaner with water.
4. The plug of the power cable must be inserted into the socket in accordance with the safety precautions.
5. Press the RESET button on the residual current circuit breaker.
6. Start the machine on the switch and apply it to the surface to be processed.
7. After finishing work, press the TEST button on the residual current switch to cut off the current in the device.
8. Pull the plug out of the socket.
9. We clean the machine of impurities.

7. TROUBLESHOOTING

Problem	Cause	Solution
The saw does not work		Push the plug further into the socket

	The power cable is poorly connected or damaged	Check the power cable and contact service.
	There is no mains voltage in the socket	Check the voltage at the outlet or if the fuse has tripped
	Worn motor brushes	Replace the brushes with new ones
	Faulty switch	Contact the service
	Defective PRCD residual current device	Contact the service
	Vibration	Check the condition of the cutting-off wheels. In case of damage, replace the disc with a new one

DEFINICJE UŻYTYCH W INSTRUKCJACH PIKTOGRAMÓW:



PRZECZYTAJ INSTRUKCJĘ



STOSUJ MASKI
PRZECIWPYŁOWE



UŻYWAJ ŚRODKÓW OCHRONY
OCZU



STOSUJ RĘKAWICE OCHRONNE



UWAGA!
STOSUJ UZIEMIENIE



Ostrzeżenie przed porażeniem
prądem elektrycznym



Ostrzeżenie związane z ruchomymi
elementami



Składować oddzielnie i utylizować
wg wskazań zgodnych z normami
ochrony środowiska



Ostrzeżenie o zagrożeniu
wybuchem



Należy przestrzegać wskazówek
oznaczonych w tekście tym
symbolem!

1. WSKAZÓWKI BEZPIECZEŃSTWA



Ogólne wskazówki bezpieczeństwa dla elektronarzędzi

Należy przeczytać wszystkie wskazówki i przepisy. Błędy w przestrzeganiu poniższych wskazówek mogą spowodować porażenie prądem, pożar i/lub ciężkie obrażenia ciała. Należy starannie przechowywać wszystkie przepisy i wskazówki bezpieczeństwa dla dalszego zastosowania. Użyte w poniższym tekście pojęcie „elektonarzędzie” odnosi się do elektronarzędzi zasilanych energią elektryczną z sieci (z przewodem zasilającym) i do elektronarzędzi zasilanych akumulatorami (bez przewodu zasilającego).

1. Bezpieczeństwo miejsca pracy

- A. Stanowisko pracy należy utrzymywać w czystości i dobrze oświetlone. Nieporządek w miejscu pracy lub nieoświetlona przestrzeń robocza mogą być przyczyną wypadków.
- B. Nie należy pracować tym elektronarzędziem w otoczeniu zagrożonym wybuchem, w którym znajdują się np. łatwopalne ciecze, gazy lub pyły. Podczas pracy elektronarzędziem wytwarzają się iskry, które mogą spowodować zapłon.
- C. Podczas użytkowania urządzenia należy zwrócić uwagę na to, aby dzieci i inne osoby ostronne znajdowały się w bezpiecznej odległości. Odwrócenie uwagi może spowodować uratę kontroli nad narzędziem.

2. Bezpieczeństwo elektryczne

- A. Wtyczka elektronarzędzia musi pasować do gniazda. Nie wolno zmieniać wtyczki w jakikolwiek sposób. Nie wolno używać wtyków adapterowych w przypadku

elektronarzędzi z uziemieniem ochronnym. Niezmienione wtyczki i pasujące gniazda zmniejszają ryzyko porażenia prądem.

- B. Należy unikać kontaktu z uziemionymi powierzchniami, jak rury, grzejniki, piece i lodówki. Ryzyko porażenia prądem jest większe, gdy ciało użytkownika jest uziemione.
- C. Urządzenie należy zabezpieczyć przed deszczem i wilgocią. Przedostanie się wody do elektronarzędzia podwyższa ryzyko porażenia prądem.
- D. Nigdy nie należy używać przewodu do innych czynności. Nigdy nie należy nosić elektronarzędzia, trzymając je za przewód, ani używać przewodu do zawieszenia urządzenia; nie wolno też wyciągać wtyczki z gniazdka, pociągając za przewód. Przewód należy chronić przed wysokimi temperaturami, należy go trzymać z dala od oleju, ostrych krawędzi lub ruchomych części urządzenia. Uszkodzone lub splątane przewody zwiększają ryzyko porażenia prądem.
- E. W przypadku pracy elektronarzędziem pod gołym niebem, należy używać przewodu przedłużającego, dostosowanego również do zastosowań zewnętrznych. Użycie właściwego przedłużacza (dostosowanego do pracy na zewnątrz) zmniejsza ryzyko porażenia prądem.
- F. Jeżeli nie da się uniknąć zastosowania elektronarzędzia w wilgotnym otoczeniu, należy użyć wyłącznika ochronnego różnicowo-prądowego. Zastosowanie wyłącznika ochronnego różnicowo-prądowego zmniejsza ryzyko porażenia prądem.

3. Bezpieczeństwo osób

- A. Podczas pracy z elektronarzędziem należy zachować ostrożność, każdą czynność wykonywać uważnie i z rozważą. Nie należy używać elektronarzędzia, gdy jest się zmęczonym lub będąc pod wpływem narkotyków, alkoholu lub leków. Moment nieuwagi przy użyciu elektronarzędzia może stać się przyczyną poważnych urazów ciała.
- B. Należy nosić osobiste wyposażenie ochronne i zawsze okulary ochronne. Noszenie osobistego wyposażenia ochronnego – maski przeciwpyłowej, obuwia z podeszwami przeciwpoślizgowymi, kasku ochronnego lub środków ochrony słuchu (w zależności od rodzaju i zastosowania elektronarzędzia) – zmniejsza ryzyko obrażeń ciała.
- C. Należy unikać niezamierzonego uruchomienia narzędzia. Przed włożeniem wtyczki do gniazdka i/lub podłączeniem do akumulatora, a także przed podniesieniem lub przeniesieniem elektronarzędzia, należy upewnić się, że elektronarzędzie jest wyłączone. Trzymanie palca na wyłączniku podczas przenoszenia elektronarzędzia lub podłączenie do prądu włączonego narzędzia, może stać się przyczyną wypadku.
- D. Przed włączeniem elektronarzędzia, należy usunąć narzędzia nastawcze lub klucze. Narzędzie lub klucz znajdujący się w ruchomych częściach urządzenia mogą doprowadzić do obrażeń ciała.
- E. Należy unikać nienaturalnych pozycji przy pracy. Należy dbać o stabilną pozycję przy pracy i zachowanie równowagi. W ten sposób możliwa będzie lepsza kontrola elektronarzędzia w nieprzewidzianych sytuacjach.
- F. Należy nosić odpowiednie ubranie. Nie należy nosić luźnego ubrania ani biżuterii. Włosy, ubranie i rękawice należy trzymać z daleka od ruchomych części. Luźne ubranie, biżuteria lub długie włosy mogą zostać wciągnięte przez ruchome części.
- G. Jeżeli istnieje możliwość zamontowania urządzeń odsysających i wychwytyjących pył, należy upewnić się, że są one podłączone i będą prawidłowo użyte. Użycie urządzenia odsysającego pył może zmniejszyć zagrożenie pyłami.

4. Prawidłowa obsługa i eksploatacja elektronarzędzi

- A. Nie należy przeciążać urządzenia. Do pracy należy używać elektronarzędzi, które są do tego przewidziane. Odpowiednio dobranym elektronarzędziem pracuje się w danym zakresie wydajności lepiej i bezpieczniej.

- B. Nie należy używać elektronarzędzia, którego włącznik/wyłącznik jest uszkodzony. Elektronarzędzie, którego nie można włączyć lub wyłączyć, jest niebezpieczne i musi zostać naprawione.
- C. Przed regulacją urządzenia, wymianą osprzętu lub po zaprzestaniu pracy narzędziem, należy wyciągnąć wtyczkę z gniazda i/lub usunąć akumulator. Ten środek ostrożności zapobiega niezamierzonemu włączeniu elektronarzędzia.
- D. Nieużywane elektronarzędzia należy przechowywać w miejscu niedostępnym dla dzieci. Nie należy udostępniać narzędzia osobom, które go nie znają lub nie przeczytały niniejszych przepisów. Używane przez niedoświadczonych osoby elektronarzędzia są niebezpieczne.
- E. Konieczna jest należyta konserwacja elektronarzędzia. Należy kontrolować, czy ruchome części urządzenia działają bez zarzutu i nie są zablokowane, czy części nie są pęknięte lub uszkodzone w sposób, który miałby wpływ na prawidłowe działanie elektronarzędzia. Uszkodzone części należy przed użyciem urządzenia oddać do naprawy. Wiele wypadków spowodowanych jest przez niewłaściwą konserwację elektronarzędzi.
- F. Elektronarzędzia, osprzęt, narzędzia pomocnicze itd. należy używać zgodnie z niniejszymi zaleceniami. Uwzględnić należy przy tym warunki i rodzaj wykonywanej pracy. Niezgodne z przeznaczeniem użycie elektronarzędzia może doprowadzić do niebezpiecznych sytuacji.

5. Serwis

- A. Naprawę elektronarzędzia należy zlecić jedynie wykwalifikowanemu fachowcowi i przy użyciu oryginalnych części zamiennych. To gwarantuje, że bezpieczeństwo urządzenia zostanie zachowane.

ZAGROŻENIE POŻAREM I WYBUCHEM



Znajdujące się w obszarze roboczym łatwopalne opary pochodzące z rozpuszczalników oraz farb mogą ulec zapłonowi lub eksplodować. Aby zapobiec wybuchowi pożaru lub eksplozji należy:



1. Unikać pracy w otoczeniu materiałów łatwopalnych i palnych w pobliżu otwartych płomieni albo źródeł zapłonu, np. papierosów, silników zewnętrznych i innych urządzeń elektrycznych.
2. Elektryczność statyczna stwarza ryzyko pożaru lub wybuchu w obecności oparów farby lub rozpuszczalnika.
3. Sprawdzić, czy wszystkie pojemniki i systemy zbiorcze są uziemione, aby zapobiec rozładowywaniu ładunków elektrostatycznych. Nie stosować okładzin kubła, jeżeli nie mają właściwości antystatycznych lub przewodzących.
4. Utrzymywać odpowiedni przepływ świeżego powietrza w tej przestrzeni.
5. Nie palić papierosów w obszarze pracy.
6. Nie korzystać w obszarze pracy z przełączników światła, silników lub podobnych produktów generujących iskry.
7. Obszar utrzymywać w czystości. Nie mogą się w nim znajdować łatwopalne materiały.
8. Zapoznać się ze wszystkimi kartami charakterystyki substancji niebezpiecznych (MSDS) oraz naklejkami na pojemnikach.
9. Na miejscu powinien znajdować się sprawny sprzęt gaśniczy.
10. Urządzenie generuje iskry. Jeżeli w urządzeniu lub w jego pobliżu jest używany łatwopalny płyn, należy utrzymywać urządzenie w odległości co najmniej 6 m od wybuchowych oparów.



BEZPIECZEŃSTWO ELEKTRYCZNE



1. Wtyczki elektronarzędzi muszą pasować do gniazdek. Zabronione jest modyfikowanie wtyczki w jakikolwiek sposób. Nie podłączać żadnych przejściówek (adapterów) do uziemionych elektronarzędzi. Stosowanie niezmodyfikowanych wtyczek i dopasowanych gniazdek zmniejsza prawdopodobieństwo porażenia elektrycznego.
2. Uziemione narzędzia muszą być podłączone do we właściwy sposób zainstalowanego i uziemionego gniazdka zgodnie ze wszystkimi normami i zarządzeniami. Zabronione jest usuwanie wtyku uziemiającego lub modyfikowanie wtyczki w jakikolwiek sposób. Nie używać jakichkolwiek przejściówek wtyczki. W razie wątpliwości, czy gniazdko jest należycie uziemione, należy skonsultować się z wykwalifikowanym elektrykiem. Jeśli praca elektronarzędzi zacznie przebiegać niewłaściwie lub zepsują się one, uziemienie zapewnia drogę niskooporowego odprowadzenia elektryczności od użytkownika.
3. Unikać kontaktu ciała z powierzchniami uziemionymi, takimi jak rury, grzejniki, chłodziarki. Kiedy ciało użytkownika jest uziemione, zwiększa się prawdopodobieństwo porażenia elektrycznego.
4. Nie wystawiać elektronarzędzi na działanie deszczu lub wilgoci. Woda przedostająca się do elektronarzędzia zwiększa ryzyko porażenia prądem.
5. Kable używać zgodnie z przeznaczeniem. Nigdy nie używać okablowania do przenoszenia, przeciągania ani do odłączania elektronarzędzia z gniazdka. Trzymać kabel z dala od gorąca, oleju, ostrych krawędzi i od poruszających się części. Wymienić natychmiast uszkodzone przewody. Uszkodzone lub poplątane kable zwiększają ryzyko porażenia prądem.
6. Podczas stosowania elektronarzędzia na zewnątrz używać przedłużaczy dostosowanych do zastosowania na zewnątrz. Wykorzystanie przewodów dostosowanych do pracy na zewnątrz zmniejsza prawdopodobieństwo porażenia elektrycznego



ZAGROŻENIE ZWIĄZANE Z RUCHOMYMI CZĘŚCIAMI

Ruhome części mogą ścisnąć, skaleczyć lub obciąć palce oraz inne części ciała.



1. Nie zbliżać się do ruchomych części.
2. Nie obsługiwać sprzętu bez założonych osłon i pokryw zabezpieczających.
3. Sprzęt znajdujący się pod napięciem może uruchomić się bez ostrzeżenia. Przed sprawdzeniem, przeniesieniem lub serwisem sprzętu należy odłączyć wszystkie źródła zasilania.

ZAGROŻENIE ZWIĄZANE Z NIEWŁAŚCIWYM UŻYTKOWANIEM URZĄDZENIA

Niewłaściwe stosowanie sprzętu może prowadzić do śmierci lub kalectwa.



1. Podczas pracy należy zawsze korzystać z odpowiednich rękawic, osłony oczu i respiratora lub maski.
2. Nie wolno uruchamiać urządzenia lub wykonywać pracy w pobliżu dzieci. Utrzymywać dzieci z dala od urządzenia.

3. Nie wolno przekraczać normalnego zasięgu ani stawiać urządzenia na niestabilnym podłożu. Należy zachowywać dobrą postawę i równowagę.
4. Należy utrzymywać koncentrację i skupić się na wykonywanej czynności.
5. Nie wolno pozostawiać bez nadzoru urządzenia podłączonego do zasilania. Gdy urządzenie nie jest używane, należy je wyłączyć i wykonać procedurę dekompresji.
6. Nie obsługiwać sprzętu w stanie zmęczenia albo pod wpływem substancji odurzających lub alkoholu.
7. Nie wolno załamywać ani nadmiernie wyginać węża.
8. Nie wystawiać przewodu na działanie temperatury lub napięcia przekraczających wartości zalecane przez firmę WABROTECH
9. Nie wolno używać przewodu do przesuwania lub podnoszenia wyposażenia.

ŚRODKI OCHRONY OSOBISTEJ



W trakcie przebywania w obszarze roboczym należy nosić odpowiednie środki ochrony, co pomoże zapobiec poważnym urazom, w tym obrażeniom oczu, utracie słuchu, skutkom wdychania oparów toksycznych oraz oparzeniom.



Środki te obejmują między innymi: okulary ochronne, aparaty oddechowe, odzież ochronną i rękawice zgodne z zaleceniami producenta płynu oraz rozpuszczalnika.



W czasie operowania elektronarzędziami należy zachować czujność, uważać na to, co się robi i postąpić zdrowym rozsądkiem. Nie używać elektronarzędzi w stanie zmęczenia albo pod wpływem narkotyków, alkoholu lub leków. Chwila rozproszenia uwagi w czasie posługiwania się elektronarzędziami może skutkować poważnymi obrażeniami.

1. Stosować wyposażenie bezpieczeństwa. Zawsze używać okularów ochronnych. Środki zabezpieczające, takie jak maska przeciwpyłowa, nieślizgające się buty, kask czy ochraniacze na uszy, jeśli użyte we właściwy sposób, ograniczą obrażenia osobiste.
2. Unikać przypadkowego załączenia. Przed podłączeniem urządzenia upewnić się, że wyłącznik jest w położeniu OFF Umieszczenie palca na wyłączniku w czasie przenoszenia lub podłączanie do prądu urządzeń przy wyłączniku w pozycji ON zwiększa ryzyko wypadków.
3. Usunąć klucz regulujący przed włączeniem urządzenia. Klucz przyczepiony do obracającej się części narzędzia może spowodować obrażenia cielesne.
4. Nie wychylać się nadmiernie. Podczas pracy przyjąć stabilną pozycję. Dzięki temu zapewniona jest lepsza kontrola elektronarzędzia w przypadku nieoczekiwanych sytuacji.
5. Nosić odpowiedni strój. Nie nosić luźnych elementów odzieży lub biżuterii. Włosy, ubrania i rękawiczki utrzymywać z dala od poruszających się części. Luźne ubrania, biżuteria czy długie włosy mogą się zaczepić i utknąć w poruszających się częściach.
6. Jeśli dostarczone zostały przyrządy do ekstrakcji i zbierania pyłów, należy upewnić się, że są podłączone i używane we właściwy sposób. Użycie tych urządzeń może zmniejszyć ryzyko związane z pyłami.

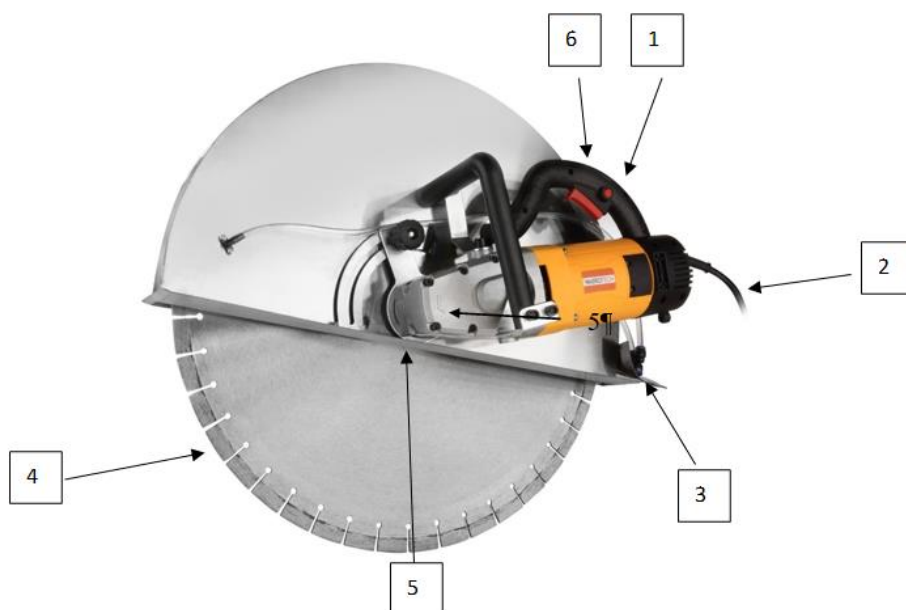
PODŁĄCZENIE DO ZASILANIA ELEKTRYCZNEGO



Napięcie sieciowe musi odpowiadać napięciu wskazanemu na tabliczce znamionowej urządzenia. W żadnym wypadku nie wolno używać narzędzia, jeśli kabel zasilający jest uszkodzony. Uszkodzony przewód musi być natychmiast wymieniony przez autoryzowane Centrum Obsługi Klienta. Nie próbować naprawiać uszkodzonego przewodu we własnym zakresie. Użycie uszkodzonych kabli zasilających może prowadzić do porażenia elektrycznego.

WAŻNE: używać tylko trójżyłowego przewodu przedłużającego, który ma wtyczkę uziemiającą z dwoma trzpieniami i otworem oraz gniazdo, do którego można będzie włożyć wtyczkę urządzenia, z dwoma otworami i trzpieniem. Upewnić się, że przewód przedłużający jest w dobrym stanie. Używając przewodu przedłużającego, należy mieć pewność, że ma on parametry wystarczające do przewodzenia prądu, który może pobierać urządzenie. Przewód o zbyt słabych parametrach spowoduje spadek napięcia sieciowego, przez co wystąpią straty mocy i przegrzewanie się. Zaleca się użycie przewodu o przekroju $3 \times 1,5$ mm. Jeśli przewód przedłużający ma zostać użyty na zewnątrz, po określeniu typu przewodu musi mieć oznaczenie W-A. Na przykład oznaczenie SJTW-A wskazywałoby, że przewód jest odpowiedni do wykorzystania na zewnątrz.

2. BUDOWA WT620



1	Rękojeść	Umożliwia transport przecinarki i jej bezpieczne prowadzenie w trakcie pracy.
2	Przewód zasilający	Zasilanie 230V/ 40-60Hz
3	Przyłącze wody	Doprowadza ciecz chłodzącą na tarcze..
4	Tarcza do cięcia betonu	Tarcza 620mm do cięcia betonu.
5	Przyłącze wody	Pozwala na podłączenie węża doprowadzającego wodę na tarcze maszyny.
6	Śruba zabezpieczająca	Śruba zabezpieczająca tarczę do cięcia.

3. DANE TECHNICZNE

Model / moc silnika	WT620 / 2600 W
Napięcie / częstotliwość/bezpiecznik	230 V / 40-60 Hz/20C (Sprawdź tabliczkę znamionową maszyny)
Maksymalna głębokość cięcia	260 mm
Maksymalna prędkość obrotowa	2500 obr/min
Soft-start	TAK
PRCD	TAK
Waga netto/brutto	19/23 kg

4. PRZEZNACZENIE PRZECINRKI DO BETONU

Przecinarka do betonu WT620 o mocy 2600 W to maszyna przeznaczona do prac, polegających na wykonywaniu wgłębień w murach lub przecinaniu twardych materiałów, takich jak beton, kostka brukowa lub kamień naturalny. Maksymalna głębokość cięcia do 260 mm. Dzięki lekkiej konstrukcji urządzenie jest niezwykle ergonomiczne w obsłudze.

Sprzęt wyposażony jest w system umożliwiający zraszanie. Dzięki temu systemowi podczas wykonywania cięcia w powietrze trafia znacznie mniejsza ilość pyłu a tarcze są delikatnie chłodzone co

zwiększa ich żywotność. Piła rozcina materiał zamiast go szlifować. Idealne rozwiązanie, jeśli zależy nam na niemal bezpyłowym wykonywaniu cięcia.

5. SIEĆ ZASILAJĄCA

Przed podłączeniem maszyny upewnić się, czy napięcie zasilania odpowiada podanej na tabliczce znamionowej wartości. Instalacja zasilająca maszynę powinna być wykonana przewodem miedzianym o minimalnym przekroju co najmniej 2,5. Instalacja zasilająca musi być wyposażona w sprawnie działającą instalację ochronną i musi spełniać wymagania przepisów bezpieczeństwa użytkowania.

Przewód elektryczny ułożyć tak, aby w czasie pracy nie był narażony na uszkodzenie. W przypadku konieczności użycia przewodu przedłużającego należy tak dobrać jego długość, by nadmiar nie przeszkadzał w pracy. Przedłużacz także winien być wyposażony w przewód ochronny. Nie wyłączać wtyczki ciągnąc za kabel zasilający.

W przypadku przerwy w zasilaniu i zatrzymania się maszyny, należy obowiązkowo zwolnić przycisk wyłącznika i wyjąć wtyczkę z gniazdka. Po ustaleniu przyczyn zaniku zasilania i rozwiązaniu problemu można kontynuować pracę. Nie pozostawiać maszyny podłączonej do sieci bez dozoru. W przypadku przerwy w pracy lub po jej zakończeniu bezwzględnie odłączyć maszynę od sieci wyjmując wtyczkę z gniazdka zasilającego.

6. OBSŁUGA URZĄDZENIA

10. Sprawdzamy stan techniczny urządzenia pod względem uszkodzeń. Jeżeli wszystko wizualnie jest sprawne, możemy przystąpić do włączenia maszyny.
11. Wkładamy odpowiednią tarczę i dokręcamy śrubę zabezpieczającą z podkładką.
12. Jeżeli jest taka potrzeba, podłączamy odkurzacz wraz z wodą.
13. Wtyczkę kabla zasilającego należy włożyć do gniazdka zgodnie z zasadami bezpieczeństwa.
14. Na wyłączniku różnicowo-prądowym wciskamy przycisk RESET.
15. Maszynę uruchamiamy na włączniku i przykładamy do obrabianej powierzchni.
16. Po skończonej pracy przyciskamy przycisk TEST na włączniku różnicowo-prądowym, aby odciąć prąd w urządzeniu.
17. Wyciągamy wtyczkę z gniazdka.
18. Oczyszczamy maszynę z zanieczyszczeń.

7. ROZWIĄZYWANIE PROBLEMÓW

Problem	Przyczyna	Rozwiązanie
Piła nie działa	Kabel zasilający jest źle podłączony lub uszkodzony	Wcisnąć głębiej wtyczkę do gniazdka Sprawdź kabel zasilający i skontaktuj się z serwisem.
	W gniazdku nie ma napięcia sieciowego	Sprawdź napięcie w gniazdku lub czy nie zadziałał bezpiecznik
	Zużyte szczotki silnika	Wymień szczotki na nowe
	Uszkodzony włącznik	Skontaktuj się z serwisem
	Uszkodzony wyłącznik różnicowoprądowy PRCD	Skontaktuj się z serwisem

	Drgania	Sprawdź stan tarcz do cięcia. W przypadku uszkodzenia wymień tarczę na nową
--	---------	---

DEFINITIONEN DER IN DER ANLEITUNG VERWENDETEN PIKTOGRAMME:



HANDBUCH LESEN



STAUBMASKEN VERWENDEN



AUGENSCHUTZ VERWENDEN



SCHUTZHANDSCHUHE TRAGEN



BEMERKUNG! ERDUNG
VERWENDEN



Warnung vor elektrischem Schlag



Warnung vor beweglichen Teilen



Getrennt lagern und
umweltgerecht entsorgen



Warnung vor Explosionsgefahr



Bitte beachten Sie die mit diesem
Symbol im Text gekennzeichneten
Anfahrtsbeschreibungen!

1. SICHERHEITSTIPPS



Allgemeine Sicherheitshinweise für Elektrowerkzeuge

Lesen Sie unbedingt alle Tipps und Vorschriften. Die Nichtbeachtung der nachstehenden Anweisungen kann zu Stromschlägen, Bränden und/oder schweren Verletzungen führen. Bewahren Sie alle Vorschriften und Sicherheitshinweise für die weitere Verwendung sorgfältig auf. Im folgenden Text bezieht sich der Begriff "Elektrowerkzeug" auf Elektrowerkzeuge, die mit Strom aus dem Stromnetz (mit Netzkabel) betrieben werden, und auf Elektrowerkzeuge, die mit Batterien betrieben werden (ohne Netzkabel).

1. Sicherheit am Arbeitsplatz

- A. Halten Sie den Arbeitsplatz sauber und gut beleuchtet. Ein unaufgeräumter Arbeitsplatz oder ein unbeleuchteter Arbeitsplatz kann zu Unfällen führen.
- B. Betreiben Sie dieses Elektrowerkzeug nicht in explosionsgefährdeten Umgebungen, die z. B. brennbare Flüssigkeiten, Gase oder Staub enthalten. Wenn ein Elektrowerkzeug in Betrieb ist, entstehen Funken, die eine Entzündung verursachen können.
- C. Achten Sie bei der Verwendung des Geräts darauf, dass Kinder und andere Umstehende einen Sicherheitsabstand einhalten. Eine Ablenkung kann dazu führen, dass Sie die Kontrolle über das Werkzeug verlieren.

2. Elektrische Sicherheit

- A. Der Stecker des Elektrowerkzeugs muss mit der Steckdose übereinstimmen. Verändern Sie den Stecker in keiner Weise. Adapterstecker dürfen nicht für Elektrowerkzeuge mit

Schutzerdungsanschluss verwendet werden. Unveränderte Stecker und passende Buchsen verringern das Risiko eines Stromschlags.

- B. Vermeiden Sie den Kontakt mit geerdeten Oberflächen wie Rohren, Heizkörpern, Herden und Kühlschränken. Das Risiko eines Stromschlags ist größer, wenn der Körper des Benutzers geerdet ist.
- C. Das Gerät muss vor Regen und Feuchtigkeit geschützt werden. Wenn Wasser in das Elektrowerkzeug eindringt, erhöht sich die Gefahr eines Stromschlags.
- D. Verwenden Sie das Kabel niemals für andere Aktivitäten. Tragen Sie ein Elektrowerkzeug niemals an einem Kabel oder verwenden Sie ein Kabel, um das Gerät aufzuhängen. Ziehen Sie den Stecker auch nicht durch Ziehen am Kabel aus der Steckdose. Das Kabel sollte vor hohen Temperaturen geschützt und von Öl, scharfen Kanten oder beweglichen Teilen des Geräts ferngehalten werden. Beschädigte oder verwickelte Kabel erhöhen das Risiko eines Stromschlags.
- E. Wenn Sie mit einem Elektrowerkzeug im Freien arbeiten, verwenden Sie ein Verlängerungskabel, das auch für den Außenbereich geeignet ist. Die Verwendung des richtigen Verlängerungskabels (für den Außenbereich geeignet) verringert das Risiko eines Stromschlags.
- F. Wenn es unumgänglich ist, das Elektrowerkzeug in einer feuchten Umgebung zu verwenden, verwenden Sie eine Fehlerstromschutzvorrichtung. Der Einsatz eines Fehlerstromschutzschalters reduziert das Risiko eines Stromschlags.

3. Persönliche Sicherheit

- A. Wenn Sie mit einem Elektrowerkzeug arbeiten, seien Sie vorsichtig und führen Sie jeden Vorgang sorgfältig und vorsichtig aus. Verwenden Sie kein Elektrowerkzeug, wenn Sie müde sind oder unter dem Einfluss von Drogen, Alkohol oder Medikamenten stehen. Ein Moment der Unaufmerksamkeit mit einem Elektrowerkzeug kann zu schweren Verletzungen führen.
- B. Tragen Sie jederzeit persönliche Schutzausrüstung und Schutzbrille. Das Tragen einer persönlichen Schutzausrüstung – Staubmaske, Schuhwerk mit rutschfester Sohle, Schutzhelm oder Gehörschutz (je nach Art und Verwendung des Elektrowerkzeugs) – verringert das Verletzungsrisiko.
- C. Ein unbeabsichtigtes Anlaufen des Werkzeugs sollte vermieden werden. Bevor Sie den Stecker in die Steckdose stecken und/oder an den Akku anschließen, sowie bevor Sie das Elektrowerkzeug in die Hand nehmen oder bewegen, stellen Sie sicher, dass das Elektrowerkzeug ausgeschaltet ist. Wenn Sie den Finger auf dem Schalter halten, während Sie ein Elektrowerkzeug bewegen oder ein Elektrowerkzeug anschließen, kann dies zu einem Unfall führen.
- D. Entfernen Sie vor dem Einschalten des Elektrowerkzeugs die Einstellwerkzeuge oder Schraubenschlüssel. Ein Werkzeug oder Schraubenschlüssel, das sich in beweglichen Teilen des Geräts befindet, kann zu Verletzungen führen.
- E. Unnatürliche Arbeitshaltungen sollten vermieden werden. Es ist wichtig, eine stabile Arbeitsposition und das Gleichgewicht zu halten. Auf diese Weise wird es möglich sein, das Elektrowerkzeug in unvorhergesehenen Situationen besser zu kontrollieren.
- F. Es sollte angemessene Kleidung getragen werden. Tragen Sie keine lockere Kleidung oder Schmuck. Halten Sie Haare, Kleidung und Handschuhe von beweglichen Teilen fern. Lose Kleidung, Schmuck oder lange Haare können sich in beweglichen Teilen verfangen.
- G. Wenn es möglich ist, Staubabsaug- und Staubabsauggeräte zu installieren, stellen Sie sicher, dass diese angeschlossen sind und ordnungsgemäß verwendet werden. Durch den Einsatz einer Staubabsaugung kann die Staubgefahr verringert werden.

4. Richtige Handhabung und Bedienung von Elektrowerkzeugen

- A. Überlasten Sie das Gerät nicht. Für die Bedienung sollten Elektrowerkzeuge verwendet werden, die für diesen Zweck bereitgestellt werden. Mit dem richtigen Elektrowerkzeug arbeiten Sie in einem bestimmten Leistungsbereich besser und sicherer.
- B. Verwenden Sie kein Elektrowerkzeug, dessen Ein-/Ausschalter beschädigt ist. Ein Elektrowerkzeug, das nicht ein- oder ausgeschaltet werden kann, ist gefährlich und muss repariert werden.
- C. Ziehen Sie vor dem Einstellen des Gerätes, dem Wechseln von Aufsätzen oder nach dem Beenden des Betriebs mit dem Gerät den Stecker aus der Steckdose und/oder entfernen Sie den Akku. Diese Vorsichtsmaßnahme verhindert ein unbeabsichtigtes Einschalten des Elektrowerkzeugs.
- D. Bewahren Sie Elektrowerkzeuge außerhalb der Reichweite von Kindern auf, wenn sie nicht verwendet werden. Stellen Sie das Tool nicht Personen zur Verfügung, die damit nicht vertraut sind oder diese Regeln nicht gelesen haben. Elektrowerkzeuge, die von unerfahrenen Personen verwendet werden, sind gefährlich.
- E. Eine ordnungsgemäße Wartung des Elektrowerkzeugs ist erforderlich. Vergewissern Sie sich, dass die beweglichen Teile des Geräts ordnungsgemäß funktionieren und nicht blockiert sind oder dass die Teile nicht gerissen oder in einer Weise beschädigt sind, die den ordnungsgemäßen Betrieb des Elektrowerkzeugs beeinträchtigen würde. Beschädigte Teile müssen repariert werden, bevor das Gerät verwendet werden kann. Viele Unfälle werden durch unsachgemäße Wartung von Elektrowerkzeugen verursacht.
- F. Elektrowerkzeuge, Anbaugeräte, Hilfswerkzeuge usw. sollten in Übereinstimmung mit diesen Empfehlungen verwendet werden. Die Bedingungen und die Art der auszuführenden Arbeit müssen berücksichtigt werden. Eine unsachgemäße Verwendung des Elektrowerkzeugs kann zu gefährlichen Situationen führen.

5. Dienst

- A. Lassen Sie Ihr Elektrowerkzeug nur von einem qualifizierten Fachmann und mit Originalersatzteilen reparieren. Dadurch wird sichergestellt, dass die Sicherheit des Geräts gewahrt bleibt.

BRAND- UND EXPLOSIONSGEFAHR



Brennbare Dämpfe von Lösungsmitteln und Farben im Arbeitsbereich können sich entzünden oder explodieren. Um den Ausbruch eines Feuers oder einer Explosion zu verhindern, sollten Sie:



1. Vermeiden Sie es, in der Nähe von brennbaren und brennbaren Materialien in der Nähe von offenen Flammen oder Zündquellen wie Zigaretten, Außenmotoren und anderen elektrischen Geräten zu arbeiten.
2. Statische Elektrizität stellt eine Brand- oder Explosionsgefahr in Gegenwart von Farb- oder Lösungsmitteldämpfen dar.
3. Stellen Sie sicher, dass alle Behälter und Sammelsysteme geerdet sind, um statische Entladungen zu vermeiden. Verwenden Sie keine Schaufelaukleidungen, wenn diese nicht antistatisch oder leitfähig sind.
4. Sorgen Sie für einen ausreichenden Frischluftstrom in diesem Raum.
5. Rauchen Sie keine Zigaretten im Arbeitsbereich.
6. Verwenden Sie keine Lichtschalter, Motoren oder ähnliche funkenerzeugende Produkte im Arbeitsbereich.

7. Halten Sie den Bereich sauber. Es darf keine brennbaren Materialien enthalten.
8. Beachten Sie alle Sicherheitsdatenblätter (MSDS) und Behälteraufkleber.
9. Es sollten funktionierende Feuerlöschgeräte vor Ort vorhanden sein.
10. Das Gerät erzeugt Funken. Wenn eine brennbare Flüssigkeit im oder in der Nähe des Geräts verwendet wird, halten Sie das Gerät mindestens 6 m von explosiven Dämpfen entfernt.



ELEKTRISCHE SICHERHEIT



1. Die Stecker des Elektrowerkzeugs müssen zu den Steckdosen passen. Es ist verboten, das Plugin in irgendeiner Weise zu verändern. Schließen Sie keine Adapter (Adapter) an geerdete Elektrowerkzeuge an. Die Verwendung von unveränderten Steckern und angeschlossenen Steckdosen verringert die Wahrscheinlichkeit eines Stromschlags.
2. Geerdete Werkzeuge müssen gemäß allen Normen und Verordnungen an eine ordnungsgemäß installierte und geerdete Steckdose angeschlossen werden. Es ist verboten, den Erdungsstecker zu entfernen oder den Stecker in irgendeiner Weise zu verändern. Verwenden Sie keine Steckeradapter. Wenn Sie Zweifel haben, ob die Steckdose ordnungsgemäß geerdet ist, wenden Sie sich an einen qualifizierten Elektriker. Wenn Elektrowerkzeuge anfangen, falsch zu laufen oder kaputt zu gehen, bietet die Erdung eine Möglichkeit, niederohmigen Strom vom Benutzer abzuleiten.
3. Vermeiden Sie Körperkontakt mit geerdeten Oberflächen wie Rohren, Heizungen, Kühlschränken. Wenn der Körper des Benutzers geerdet ist, erhöht sich die Wahrscheinlichkeit eines Stromschlags.
4. Setzen Sie Elektrowerkzeuge weder Regen noch Feuchtigkeit aus. Das Eindringen von Wasser in das Elektrowerkzeug erhöht das Risiko eines Stromschlags.
5. Verwenden Sie die Kabel wie vorgesehen. Verwenden Sie niemals die Verkabelung, um das Elektrowerkzeug zu tragen, zu ziehen oder den Netzstecker aus der Steckdose zu ziehen. Halten Sie das Kabel von Hitze, Öl, scharfen Kanten und beweglichen Teilen fern. Tauschen Sie beschädigte Kabel sofort aus. Beschädigte oder verhedderte Kabel erhöhen das Risiko eines Stromschlags.
6. Wenn Sie das Elektrowerkzeug im Freien verwenden, verwenden Sie Verlängerungskabel, die für den Außenbereich geeignet sind. Die Verwendung von Kabeln, die für den Einsatz im Freien geeignet sind, verringert die Wahrscheinlichkeit eines Stromschlags.



GEFAHR DURCH BEWEGLICHE TEILE



Bewegliche Teile können Finger und andere Körperteile einklemmen, schneiden oder schneiden.

1. Halten Sie sich von beweglichen Teilen fern.
2. Betreiben Sie das Gerät nicht ohne Schutzvorrichtungen und Abdeckungen.
3. Live-Geräte können ohne Vorwarnung gestartet werden. Trennen Sie alle Stromquellen, bevor Sie das Gerät inspizieren, bewegen oder warten.

GEFAHR DURCH UNSACHGEMÄSSE VERWENDUNG DES GERÄTS



Unsachgemäßer Gebrauch des Geräts kann zum Tod oder zu Behinderungen führen.

1. Verwenden Sie bei der Arbeit immer geeignete Handschuhe, einen Augenschutz und eine Atemschutzmaske oder Maske.
2. Bedienen Sie das Gerät nicht und arbeiten Sie nicht in der Nähe von Kindern. Halten Sie Kinder vom Gerät fern.
3. Überschreiten Sie nicht den normalen Bereich und stellen Sie das Gerät nicht auf instabilen Untergrund auf. Eine gute Körperhaltung und ein gutes Gleichgewicht müssen beibehalten werden.
4. Sie müssen konzentriert bleiben und sich auf die anstehende Aufgabe konzentrieren.
5. Lassen Sie das Gerät nicht unbeaufsichtigt, während es an die Stromversorgung angeschlossen ist. Wenn das Gerät nicht verwendet wird, schalten Sie es aus und führen Sie den Dekomprimierungsvorgang durch.
6. Bedienen Sie das Gerät nicht, wenn Sie müde sind oder unter dem Einfluss von Drogen oder Alkohol stehen.
7. Verbiegen oder überbiegen Sie den Schlauch nicht.
8. Setzen Sie das Kabel keinen Temperaturen oder Spannungen aus, die die von WABROTECH empfohlenen Werte überschreiten
9. Verwenden Sie das Kabel nicht zum Bewegen oder Heben von Geräten.

PERSÖNLICHE SCHUTZAUSRÜSTUNG



Tragen Sie im Arbeitsbereich geeignete Schutzausrüstung, um schwere Verletzungen wie Augenverletzungen, Hörverlust, giftige Dämpfe und Verbrennungen zu vermeiden.



Zu diesen Maßnahmen gehören unter anderem: Schutzbrillen, Atemschutzgeräte, Schutzkleidung und Handschuhe gemäß den Empfehlungen des Herstellers von Flüssigkeiten und Lösungsmitteln.



Seien Sie beim Umgang mit Elektrowerkzeugen wachsam, achten Sie darauf, was Sie tun, und lassen Sie Ihren gesunden Menschenverstand walten. Verwenden Sie keine Elektrowerkzeuge, wenn Sie müde sind oder unter dem Einfluss von Drogen, Alkohol oder Medikamenten stehen. Ein Moment der Ablenkung beim Umgang mit Elektrowerkzeugen kann zu schweren Verletzungen führen.

1. Tragen Sie Sicherheitsausrüstung. Tragen Sie immer eine Schutzbrille. Schutzmaßnahmen wie eine Staubmaske, rutschfeste Schuhe, ein Schutzhelm oder Gehörschutz begrenzen bei sachgemäßer Anwendung Verletzungen.
2. Vermeiden Sie versehentliches Umschalten. Vergewissern Sie sich vor dem Anschließen des Gerätes, dass sich der Schutzschalter in der Position OFF befindet. Wenn Sie Ihren Finger während der Handhabung oder beim Anschließen von Geräten mit dem Schutzschalter in der Position ON auf den Schalter legen, erhöht sich die Unfallgefahr.
3. Ziehen Sie den Einstellschlüssel ab, bevor Sie das Gerät einschalten. Ein Schraubenschlüssel, der an einem rotierenden Teil des Werkzeugs befestigt ist, kann zu Verletzungen führen.
4. Nicht überdehnen. Nehmen Sie während des Betriebs eine stabile Position ein. Dies gewährleistet eine bessere Kontrolle des Elektrowerkzeugs in unerwarteten Situationen.

5. Tragen Sie angemessene Kleidung. Tragen Sie keine losen Kleidungsstücke oder Schmuck. Halten Sie Haare, Kleidung und Handschuhe von beweglichen Teilen fern. Lose Kleidung, Schmuck oder lange Haare können sich verfangen und in beweglichen Teilen stecken bleiben.
6. Wenn Staubabsaug- und -sammelgeräte mitgeliefert werden, stellen Sie sicher, dass diese ordnungsgemäß angeschlossen und verwendet werden. Durch den Einsatz dieser Geräte kann das mit Staub verbundene Risiko verringert werden.

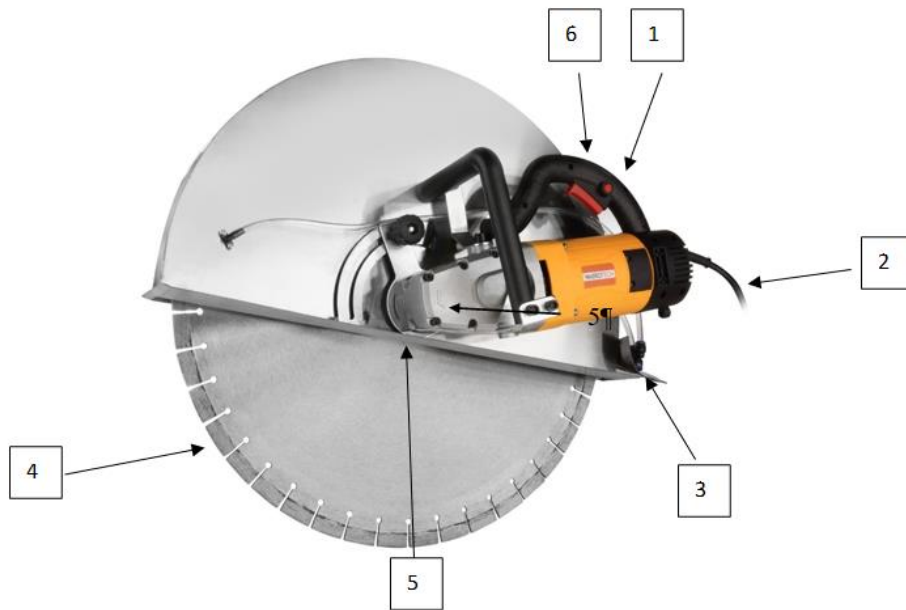
ANSCHLUSS AN DIE STROMVERSORGUNG



Die Netzspannung muss der auf dem Typenschild des Gerätes angegebenen Spannung entsprechen. Auf keinen Fall sollte das Gerät verwendet werden, wenn das Netzkabel beschädigt ist. Ein beschädigtes Kabel muss sofort von einem autorisierten Kundendienst ausgetauscht werden. Versuchen Sie nicht, ein beschädigtes Kabel selbst zu reparieren. Die Verwendung beschädigter Netzkabel kann zu einem Stromschlag führen.

WICHTIG: Verwenden Sie nur ein dreiadriges Verlängerungskabel mit einem Erdungsstecker mit zwei Stiften und einem Loch sowie eine Buchse, in die der Gerätestecker gesteckt werden kann, mit zwei Löchern und einem Stift. Stellen Sie sicher, dass das Verlängerungskabel in gutem Zustand ist. Wenn Sie ein Verlängerungskabel verwenden, sollten Sie sicherstellen, dass es über ausreichende Parameter verfügt, um den Strom zu leiten, den das Gerät ziehen kann. Ein Kabel mit zu schwachen Parametern führt zu einem Abfall der Netzspannung, was zu Leistungsverlusten und Überhitzung führt. Es wird empfohlen, einen Draht mit einem Querschnitt von $3 \times 1,5$ mm zu verwenden. Soll das Verlängerungskabel im Außenbereich verwendet werden, muss es nach der Bestimmung des Drahttyps mit W-A gekennzeichnet werden. Die Bezeichnung SJTW-A würde beispielsweise darauf hinweisen, dass das Kabel für den Außenbereich geeignet ist.

2. WT620 KONSTRUKTION



1	Griff	Es ermöglicht Ihnen, den Schneider zu transportieren und ihn während des Betriebs sicher zu führen.
2	Stromkabel	Stromversorgung 230V/ 40-60Hz
3	Wasseranschluss	Versorgt die Scheiben mit Kühlmittel.
4	Trennscheibe für Beton	620 mm Klinge zum Schneiden von Beton.
5	Wasseranschluss	Es ermöglicht Ihnen, einen Wasserzufuhrschlauch an die Maschinenscheiben anzuschließen.
6	Sicherheitsschraube	Schraube zur Befestigung der Trennscheibe.

3. TECHNISCHE DATEN

Motormodell/Leistung	WT620 / 2600 W
Spannung / Frequenz / Sicherung	230V/40-60Hz/20C (Typenschild der Maschine prüfen)
Maximale Schnitttiefe	ca. 260 mm
Maximale Drehzahl	2500 U/min
Sanftanlauf	JA
PRCD	JA
Netz/hässlicher Waga	19/23 kg

4. ZWECK DER BETONSCHEIDEMASCHINE

Der Betonschneider WT620 mit 2600 Watt ist für Arbeiten konzipiert, bei denen Aussparungen in Mauerwerk gemacht oder harte Materialien wie Beton, Pflastersteine oder Naturstein durchtrennt werden. Maximale Schnitttiefe bis zu 260 mm. Dank seiner leichten Bauweise ist das Gerät äußerst ergonomisch zu bedienen.

Das Gerät ist mit einer Sprinkleranlage ausgestattet. Dank dieses Systems wird beim Schneiden deutlich weniger Staub an die Luft abgegeben und die Klingen werden schonend gekühlt, was ihre Lebensdauer erhöht. Die Säge schneidet das Material, anstatt es zu schleifen. Eine ideale Lösung, wenn Sie nahezu staubfrei schneiden möchten.

5. STROMNETZ

Stellen Sie vor dem Anschließen der Maschine sicher, dass die Versorgungsspannung der auf dem Schild angegebenen Spannung entspricht Nominalwert. Die Installation, die die Maschine versorgt, sollte mit einem Kupferleiter mit einem Mindestquerschnitt von mindestens 2,5 erfolgen. Das Stromversorgungssystem muss mit einem gut funktionierenden Schutzsystem ausgestattet sein und die Anforderungen der Sicherheitsvorschriften für den Einsatz erfüllen.

Positionieren Sie das Elektrokabel so, dass es während des Betriebs keinen Beschädigungen ausgesetzt ist. Wenn Sie ein Verlängerungskabel verwenden müssen, sollten Sie dessen Länge so wählen, dass der Überschuss Ihre Arbeit nicht beeinträchtigt. Das Verlängerungskabel sollte ebenfalls mit einem Schutzdraht ausgestattet sein. Schalten Sie den Stecker nicht aus, indem Sie am Netzkabel ziehen.

Im Falle einer Stromunterbrechung und eines Stillstands der Maschine ist es zwingend erforderlich, den Schaltknopf loszulassen und den Stecker aus der Steckdose zu ziehen. Sobald Sie die Ursachen des Stromausfalls ermittelt und das Problem behoben haben, können Sie mit der Arbeit fortfahren. Lassen Sie das Gerät nicht unbeaufsichtigt, wenn es an das Stromnetz angeschlossen ist. Im Falle einer Arbeitsunterbrechung oder nach deren Beendigung ist es unbedingt erforderlich, die Maschine vom Stromnetz zu trennen, indem der Stecker aus der Steckdose gezogen wird.

6. BEDIENUNG DES GERÄTS

1. Wir überprüfen den technischen Zustand des Gerätes in Bezug auf Beschädigungen. Wenn alles visuell funktionsfähig ist, können wir mit dem Einschalten der Maschine fortfahren.
2. Setzen Sie die entsprechende Scheibe ein und ziehen Sie die Sicherheitsschraube mit der Unterlegscheibe fest.
3. Schließen Sie den Staubsauger bei Bedarf an Wasser an.
4. Der Stecker des Netzkabels muss gemäß den Sicherheitsvorkehrungen in die Steckdose eingesteckt werden.
5. Drücken Sie die RESET-Taste am Fehlerstromschutzschalter.
6. Starten Sie die Maschine am Schalter und legen Sie sie auf die zu bearbeitende Oberfläche.
7. Drücken Sie nach Beendigung der Arbeiten die Taste TEST am Fehlerstromschalter, um den Strom im Gerät zu unterbrechen.
8. Ziehen Sie den Stecker aus der Steckdose.
9. Wir reinigen die Maschine von Verunreinigungen.

7. FEHLERBEHEBUNG

Problem	Verursachen	Lösung
Die Säge funktioniert nicht	Das Netzkabel ist schlecht angeschlossen oder beschädigt	Schieben Sie den Stecker weiter in die Steckdose Überprüfen Sie das Netzkabel und wenden Sie sich an den Service.
	Es gibt keine Netzspannung in der Steckdose	Überprüfen Sie die Spannung an der Steckdose oder ob die Sicherung ausgelöst hat
	Verschlossene Motorbürsten	Ersetzen Sie die Bürsten durch neue

	Defekter Schalter	Kontaktieren Sie den Service
	Defekter Fehlerstromschutzschalter PRCD	Kontaktieren Sie den Service
Schwingung		Überprüfen Sie den Zustand der Trennscheiben. Ersetzen Sie im Falle einer Beschädigung die Scheibe durch eine neue

DÉFINITIONS DES PICTOGRAMMES UTILISÉS DANS LA NOTICE :



LIRE LE MANUEL



UTILISEZ DES MASQUES ANTI-POUSSIÈRE



UTILISEZ UNE PROTECTION OCULAIRE



PORTEZ DES GANTS DE PROTECTION



REMARQUE! UTILISER LA MISE À LA TERRE



Avertissement de choc électrique



Avertissement sur les pièces mobiles



Entreposer séparément et éliminer selon les normes environnementales



Avertissement de risque d'explosion



Veillez respecter les instructions marquées de ce symbole dans le texte !

1. CONSEILS DE SÉCURITÉ



Consignes générales de sécurité pour les outils électroportatifs

Assurez-vous de lire tous les conseils et règlements. Le non-respect des instructions ci-dessous peut entraîner un choc électrique, un incendie et/ou des blessures graves. Conservez soigneusement toutes les réglementations et consignes de sécurité pour une utilisation ultérieure. Tel qu'il est utilisé dans le texte suivant, le terme « outil électrique » fait référence aux outils électriques qui sont alimentés par l'électricité du secteur (avec un cordon d'alimentation) et aux outils électriques qui fonctionnent par des batteries (sans cordon d'alimentation).

1. Sécurité sur le lieu de travail

- A. Gardez le poste de travail propre et bien éclairé. Un lieu de travail désordonné ou un espace de travail non éclairé peut provoquer des accidents.
- B. N'utilisez pas cet outil électrique dans des environnements potentiellement explosifs contenant, par exemple, des liquides, des gaz ou des poussières inflammables. Lorsqu'un outil électrique est en marche, des étincelles sont générées qui peuvent provoquer un incendie.
- C. Lors de l'utilisation de l'appareil, assurez-vous que les enfants et les autres personnes à proximité sont maintenus à une distance de sécurité. Une distraction peut vous faire perdre le contrôle de l'outil.

2. Sécurité électrique

- A. La fiche de l'outil électrique doit correspondre à la prise. Ne modifiez en aucun cas la fiche. Les adaptateurs ne doivent pas être utilisés pour les outils électriques dotés d'une connexion de mise à la terre de protection. Des fiches inchangées et des prises correspondantes réduisent le risque d'électrocution.
- B. Évitez tout contact avec des surfaces mises à la terre telles que des tuyaux, des radiateurs, des cuisinières et des réfrigérateurs. Le risque d'électrocution est plus élevé lorsque le corps de l'utilisateur est mis à la terre.
- C. L'appareil doit être protégé de la pluie et de l'humidité. Si de l'eau pénètre dans l'outil électrique, le risque d'électrocution augmente.
- D. N'utilisez jamais le cordon pour d'autres activités. Ne transportez jamais un outil électrique par un cordon et n'utilisez jamais un cordon pour accrocher l'appareil ; De plus, ne débranchez pas la fiche de la prise en tirant sur le cordon. Le cordon doit être protégé des températures élevées, tenu à l'écart de l'huile, des arêtes vives ou des pièces mobiles de l'appareil. Les cordons endommagés ou emmêlés augmentent le risque de choc électrique.
- E. Lorsque vous travaillez avec un outil électrique à l'air libre, utilisez une rallonge qui convient également à une utilisation en extérieur. L'utilisation de la rallonge correcte (adaptée à une utilisation en extérieur) réduit le risque de choc électrique.
- F. S'il est inévitable d'utiliser l'outil électrique dans un environnement humide, utilisez un dispositif de protection contre les courants résiduels. L'utilisation d'un disjoncteur différentiel réduit le risque de choc électrique.

3. Sécurité personnelle

- A. Lorsque vous travaillez avec un outil électrique, soyez prudent et effectuez chaque opération avec soin et prudence. N'utilisez pas d'outil électrique lorsque vous êtes fatigué ou sous l'influence de drogues, d'alcool ou de médicaments. Un moment d'inattention avec un outil électrique peut causer des blessures graves.
- B. Portez un équipement de protection individuelle et des lunettes de sécurité en tout temps. Le port d'un équipement de protection individuelle – un masque anti-poussière, des chaussures à semelles antidérapantes, un casque de sécurité ou une protection auditive (selon le type et l'utilisation de l'outil électrique) – réduit le risque de blessures.
- C. Le démarrage involontaire de l'outil doit être évité. Avant d'insérer la fiche dans la prise et/ou de la brancher à la batterie, ainsi qu'avant de prendre ou de déplacer l'outil électrique, assurez-vous que l'outil électrique est éteint. Garder le doigt sur l'interrupteur tout en déplaçant un outil électrique ou en branchant un outil électrique peut provoquer un accident.
- D. Avant de mettre l'outil électrique en marche, retirez les outils de réglage ou les clés. Un outil ou une clé trouvée dans les pièces mobiles de l'appareil peut entraîner des blessures.
- E. Les positions de travail non naturelles doivent être évitées. Il est important de maintenir une position de travail stable et un équilibre. De cette façon, il sera possible de mieux contrôler l'outil électrique dans des situations imprévues.
- F. Des vêtements appropriés doivent être portés. Ne portez pas de vêtements amples ni de bijoux. Gardez les cheveux, les vêtements et les gants à l'écart des pièces mobiles. Les vêtements amples, les bijoux ou les cheveux longs peuvent se coincer dans les pièces mobiles.
- G. S'il est possible d'installer des dispositifs d'extraction et de capture des poussières, assurez-vous qu'ils sont connectés et qu'ils seront utilisés correctement. L'utilisation d'un dispositif d'extraction de poussière peut réduire le risque de poussière.

4. Manipulation et utilisation correctes des outils électriques

- A. Ne surchargez pas l'appareil. Les outils électriques prévus à cet effet doivent être utilisés pour le fonctionnement. Avec le bon outil électrique, vous travaillez mieux et en toute sécurité dans une plage de puissance donnée.
- B. N'utilisez pas d'outil électrique dont l'interrupteur marche/arrêt est endommagé. Un outil électrique qui ne peut pas être allumé ou éteint est dangereux et doit être réparé.
- C. Avant de régler l'appareil, de changer d'accessoire ou après avoir arrêté le fonctionnement avec l'outil, débranchez la fiche de la prise et/ou retirez la batterie. Cette précaution permet d'éviter que l'outil électrique ne soit mis en marche par inadvertance.
- D. Gardez les outils électriques hors de portée des enfants lorsqu'ils ne sont pas utilisés. Ne mettez pas l'outil à la disposition de personnes qui ne le connaissent pas ou qui n'ont pas lu ces règles. Les outils électriques utilisés par des personnes inexpérimentées sont dangereux.
- E. Un bon entretien de l'outil électrique est nécessaire. Vérifiez que les pièces mobiles de l'appareil fonctionnent correctement et ne sont pas bloquées, ou que les pièces ne sont pas fissurées ou endommagées d'une manière qui affecterait le bon fonctionnement de l'outil électrique. Les pièces endommagées doivent être réparées avant que l'appareil puisse être utilisé. De nombreux accidents sont causés par un mauvais entretien des outils électriques.
- F. Les outils électriques, les accessoires, les outils auxiliaires, etc., doivent être utilisés conformément à ces recommandations. Les conditions et le type de travaux à effectuer doivent être pris en compte. Une mauvaise utilisation de l'outil électrique peut entraîner des situations dangereuses.

5. Service

- A. Faites réparer votre outil électrique uniquement par un professionnel qualifié et en utilisant des pièces de rechange d'origine. Cela garantit que la sécurité de l'appareil est maintenue.

RISQUE D'INCENDIE ET D'EXPLOSION



Les vapeurs inflammables des solvants et des peintures dans la zone de travail peuvent s'enflammer ou exploser. Pour éviter le déclenchement d'un incendie ou d'une explosion, vous devez :



1. Évitez de travailler à proximité de matériaux inflammables et combustibles à proximité de flammes nues ou de sources d'inflammation, telles que des cigarettes, des moteurs extérieurs et d'autres appareils électriques.
2. L'électricité statique présente un risque d'incendie ou d'explosion en présence de vapeurs de peinture ou de solvant.
3. Vérifiez que tous les récipients et les systèmes de collecte sont mis à la terre pour éviter les décharges électrostatiques. N'utilisez pas de doublures de godet si elles ne sont pas antistatiques ou conductrices.
4. Maintenez un flux d'air frais adéquat dans cet espace.
5. Ne fumez pas de cigarettes dans la zone de travail.
6. N'utilisez pas d'interrupteurs, de moteurs ou de produits similaires générant des étincelles dans la zone de travail.
7. Gardez la zone propre. Il ne doit pas contenir de matériaux inflammables.
8. Reportez-vous à toutes les fiches signalétiques (FDS) et aux autocollants des contenants.
9. Il devrait y avoir un équipement d'extinction d'incendie fonctionnel sur le site.

10. L'appareil génère des étincelles. Si un liquide inflammable est utilisé à l'intérieur ou à proximité de l'appareil, gardez l'appareil à au moins 6 m des vapeurs explosives.



SÉCURITÉ ÉLECTRIQUE



1. Les fiches des outils électriques doivent correspondre aux prises. Il est interdit de modifier le plugin de quelque manière que ce soit. Ne connectez aucun adaptateur (adaptateur) à des outils électriques mis à la terre. L'utilisation de fiches non modifiées et de prises montées réduit le risque de choc électrique.
2. Les outils mis à la terre doivent être raccordés à une prise correctement installée et mise à la terre conformément à toutes les normes et ordonnances. Il est interdit de retirer la fiche de mise à la terre ou de modifier la fiche de quelque manière que ce soit. N'utilisez pas d'adaptateurs de prise. En cas de doute quant à savoir si la prise est correctement mise à la terre, consultez un électricien qualifié. Si les outils électriques commencent à fonctionner de manière incorrecte ou à se casser, la mise à la terre permet à l'utilisateur de dissiper l'électricité à faible résistance.
3. Évitez tout contact corporel avec des surfaces mises à la terre telles que des tuyaux, des radiateurs, des réfrigérateurs. Lorsque le corps de l'utilisateur est mis à la terre, la probabilité de choc électrique augmente.
4. N'exposez pas les outils électriques à la pluie ou à l'humidité. La pénétration d'eau dans l'outil électrique augmente le risque de choc électrique.
5. Utilisez les câbles comme prévu. N'utilisez jamais le câblage pour transporter, traîner ou débrancher l'outil électrique de la prise. Gardez le câble à l'écart de la chaleur, de l'huile, des arêtes vives et des pièces mobiles. Remplacez immédiatement les câbles endommagés. Les câbles endommagés ou emmêlés augmentent le risque d'électrocution.
6. Lorsque vous utilisez l'outil électrique à l'extérieur, utilisez des rallonges adaptées à une utilisation en extérieur. L'utilisation de câbles adaptés à une utilisation en extérieur réduit le risque de choc électrique.



DANGER DES PIÈCES MOBILES

Les pièces mobiles peuvent pincer, couper ou couper les doigts et d'autres parties du corps.



1. Tenir à l'écart des pièces mobiles.
2. N'utilisez pas l'équipement sans protections et couvercles en place.
3. L'équipement sous tension peut démarrer sans avertissement. Débranchez toutes les sources d'alimentation avant d'inspecter, de déplacer ou d'entretenir l'équipement.

RISQUE D'UNE MAUVAISE UTILISATION DE L'APPAREIL

Une mauvaise utilisation de l'équipement peut entraîner la mort ou l'invalidité.



1. Utilisez toujours des gants, un écran oculaire et un respirateur ou un masque appropriés lorsque vous travaillez.

2. N'utilisez pas l'appareil et ne travaillez pas à proximité d'enfants. Gardez les enfants à l'écart de l'appareil.
3. Ne dépassez pas la portée normale et ne placez pas l'appareil sur un sol instable. Une bonne posture et un bon équilibre doivent être maintenus.
4. Vous devez rester concentré et vous concentrer sur la tâche à accomplir.
5. Ne laissez pas l'appareil sans surveillance lorsqu'il est connecté à l'alimentation électrique. Lorsque l'appareil n'est pas utilisé, éteignez-le et effectuez la procédure de décompression.
6. N'utilisez pas l'équipement lorsque vous êtes fatigué ou sous l'influence de drogues ou d'alcool.
7. Ne pliez pas ou ne pliez pas trop le tuyau.
8. N'exposez pas le câble à des températures ou des tensions supérieures aux valeurs recommandées par WABROTECH
9. N'utilisez pas le cordon pour déplacer ou soulever de l'équipement.

ÉQUIPEMENT DE PROTECTION INDIVIDUELLE



Portez un équipement de protection approprié dans la zone de travail pour aider à prévenir les blessures graves, y compris les blessures aux yeux, la perte auditive, les vapeurs toxiques et les brûlures.



Ces mesures comprennent, sans s'y limiter : des lunettes de sécurité, des appareils respiratoires, des vêtements de protection et des gants conformément aux recommandations du fabricant de liquides et de solvants.



Lorsque vous manipulez des outils électriques, soyez vigilant, faites attention à ce que vous faites et faites preuve de bon sens. N'utilisez pas d'outils électriques lorsque vous êtes fatigué ou sous l'influence de drogues, d'alcool ou de médicaments. Un moment de distraction lors de la manipulation d'outils électriques peut entraîner des blessures graves.

1. Portez un équipement de sécurité. Portez toujours des lunettes de sécurité. Des mesures de protection telles qu'un masque anti-poussière, des chaussures antidérapantes, un casque de sécurité ou des protecteurs d'oreilles, si elles sont utilisées correctement, limiteront les blessures.
2. Évitez les changements accidentels. Avant de brancher l'appareil, assurez-vous que le disjoncteur est en position OFF Placer votre doigt sur l'interrupteur pendant la manipulation ou brancher des appareils avec le disjoncteur en position ON augmente le risque d'accidents.
3. Retirez la clé de réglage avant d'allumer l'appareil. Une clé attachée à une partie rotative de l'outil peut entraîner des blessures.
4. Ne pas trop s'étirer. Adoptez une position stable pendant le fonctionnement. Cela garantit un meilleur contrôle de l'outil électrique en cas de situations inattendues.
5. Portez une tenue vestimentaire appropriée. Ne portez pas de vêtements amples ou de bijoux. Gardez les cheveux, les vêtements et les gants à l'écart des pièces mobiles. Les vêtements amples, les bijoux ou les cheveux longs peuvent se coincer et se coincer dans les pièces mobiles.
6. Si des instruments d'extraction et de collecte des poussières sont fournis, assurez-vous qu'ils sont connectés et utilisés correctement. L'utilisation de ces appareils peut réduire le risque associé à la poussière.

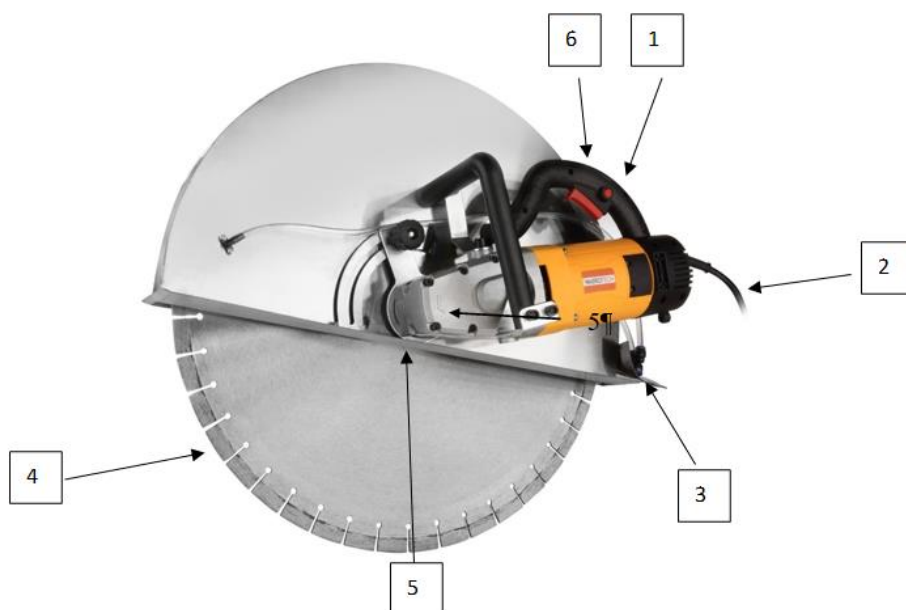
CONNEXION À L'ALIMENTATION ÉLECTRIQUE



La tension secteur doit correspondre à la tension indiquée sur la plaque signalétique de l'appareil. L'outil ne doit en aucun cas être utilisé si le câble d'alimentation est endommagé. Un cordon endommagé doit être remplacé immédiatement par un centre de service à la clientèle agréé. N'essayez pas de réparer vous-même un cordon endommagé. L'utilisation de câbles d'alimentation endommagés peut entraîner un choc électrique.

IMPORTANT : utilisez uniquement une rallonge à trois fils dotée d'une fiche de mise à la terre avec deux broches et un trou et d'une prise dans laquelle la fiche de l'appareil peut être insérée, avec deux trous et une broche. Assurez-vous que la rallonge est en bon état. Lorsque vous utilisez une rallonge, vous devez vous assurer qu'elle dispose de paramètres suffisants pour conduire le courant que l'appareil peut consommer. Un câble avec des paramètres trop faibles provoquera une chute de la tension secteur, entraînant des pertes de puissance et une surchauffe. Il est recommandé d'utiliser un fil d'une section de $3 \times 1,5$ mm. Si la rallonge doit être utilisée à l'extérieur, elle doit être marquée W-A après que le type de fil ait été déterminé. Par exemple, la désignation SJTW-A indiquerait que le câble est adapté à une utilisation en extérieur.

2. LA CONSTRUCTION DU WT620



1	Manche	Il vous permet de transporter la fraise et de la guider en toute sécurité pendant le fonctionnement.
2	Cordon d'alimentation	Alimentation 230V/ 40-60Hz
3	Raccordement à l'eau	Fournit du liquide de refroidissement aux disques.
4	Disque à tronçonner le béton	Lame de 620 mm pour couper le béton.
5	Raccordement à l'eau	Il vous permet de connecter un tuyau d'alimentation en eau aux disques de la machine.
6	Vis de sécurité	Vis pour fixer la roue de coupe.

3. DONNÉES TECHNIQUES

Modèle de moteur/puissance	WT620 / 2600 W
Tension / Fréquence / Fusible	230V/40-60Hz/20C (Vérifiez la plaque signalétique de la machine)
Profondeur de coupe maximale	260 millimètre
Régime maximal	2500 tr/min
Démarrage progressif	OUI
PRCD	OUI
Waga net/laid	19/23 kg

4. OBJECTIF DE LA MACHINE DE DÉCOUPE DU BÉTON

Le coupe-béton WT620 2600 watts est conçu pour les travaux qui impliquent de faire des évidements dans la maçonnerie ou de couper des matériaux durs tels que le béton, les pavés ou la pierre

naturelle. Profondeur de coupe maximale jusqu'à 260 mm. Grâce à sa conception légère, l'appareil est extrêmement ergonomique à utiliser.

L'équipement est équipé d'un système de gicleurs. Grâce à ce système, beaucoup moins de poussière est libérée dans l'air pendant la coupe et les lames sont refroidies en douceur, ce qui augmente leur durée de vie. La scie coupe le matériau au lieu de le meuler. Une solution idéale si vous souhaitez effectuer une découpe presque sans poussière.

5. RÉSEAU ÉLECTRIQUE

Avant de brancher la machine, assurez-vous que la tension d'alimentation correspond à la tension indiquée sur la plaque

Valeur nominale. L'installation alimentant la machine doit être réalisée avec un conducteur en cuivre d'une section minimale d'au moins 2,5. Le système d'alimentation électrique doit être équipé d'un système de protection qui fonctionne bien et doit répondre aux exigences des règles de sécurité pour l'utilisation.

Positionnez le câble électrique de manière à ce qu'il ne soit pas exposé à des dommages pendant le fonctionnement. Si vous devez utiliser une rallonge, vous devez choisir sa longueur afin que l'excédent n'interfère pas avec votre travail. La rallonge doit également être équipée d'un fil de protection. N'éteignez pas la fiche en tirant sur le câble d'alimentation.

En cas de coupure de courant et d'arrêt de la machine, il est obligatoire de relâcher le bouton de l'interrupteur et de retirer la fiche de la prise. Une fois que vous avez déterminé les causes de la panne de courant et résolu le problème, vous pouvez continuer à travailler. Ne laissez pas la machine sans surveillance lorsqu'elle est connectée au secteur. En cas d'interruption des travaux ou après leur achèvement, il est impératif de débrancher la machine du secteur en débranchant la fiche de la prise de courant.

6. FONCTIONNEMENT DE L'APPAREIL

1. Nous vérifions l'état technique de l'appareil en termes de dommages. Si tout est visuellement fonctionnel, nous pouvons procéder à la mise en marche de la machine.
2. Insérez le disque approprié et serrez la vis de sécurité avec la rondelle.
3. Si nécessaire, connectez l'aspirateur avec de l'eau.
4. La fiche du câble d'alimentation doit être insérée dans la prise conformément aux précautions de sécurité.
5. Appuyez sur le bouton RESET du disjoncteur à courant résiduel.
6. Démarrez la machine sur l'interrupteur et appliquez-la sur la surface à traiter.
7. Une fois le travail terminé, appuyez sur le bouton TEST de l'interrupteur de courant résiduel pour couper le courant dans l'appareil.
8. Débranchez la fiche de la prise.
9. Nous nettoyons la machine des impuretés.

7. DÉPANNAGE

Problème	Cause	Solution
La scie ne fonctionne pas	Le câble d'alimentation est mal connecté ou endommagé	Poussez la fiche plus loin dans la prise Vérifiez le câble d'alimentation et contactez le service après-vente.
	Il n'y a pas de tension secteur dans la prise	Vérifiez la tension à la prise ou si le fusible s'est déclenché
	Balais de moteur usés	Remplacez les brosses par des neuves

	Interrupteur défectueux	Contactez le service
	Dispositif à courant résiduel PRCD défectueux	Contactez le service
	Vibration	Vérifiez l'état des disques à tronçonner. En cas de dommage, remplacez le disque par un neuf

DEFINICE PIKTOGRAMŮ POUŽITÝCH V NÁVODU:



PŘEČTĚTE SI PŘÍRUČKU



POUŽÍVEJTE PROTIPRACHOVÉ
MASKY



POUŽÍVEJTE OCHRANU OČÍ



POUŽÍVEJTE OCHRANNÉ
RUKAVICE



POZNÁMKA! POUŽIJTE
UZEMNĚNÍ



Varování před úrazem elektrickým
proudem



Upozornění na pohyblivé části



Skladujte odděleně a likvidujte v
souladu s ekologickými normami



Varování před nebezpečím
výbuchu



Dodržujte prosím pokyny označené
tímto symbolem v textu!

1. BEZPEČNOSTNÍ TIPY



Všeobecné bezpečnostní pokyny pro elektrické nářadí

Nezapomeňte si přečíst všechny tipy a předpisy. Nedodržení níže uvedených pokynů může vést k úrazu elektrickým proudem, požáru a/nebo vážnému zranění osob. Pečlivě uschovejte všechny předpisy a bezpečnostní pokyny pro další použití. Pojem "elektrické nářadí", jak je používán v následujícím textu, se vztahuje na elektrické nářadí, které je napájeno elektřinou ze sítě (s napájecím kabelem), a na elektrické nářadí, které je napájeno bateriemi (bez napájecího kabelu).

1. Bezpečnost na pracovišti

- A. Udržujte pracovní stanici čistou a dobře osvětlenou. Neuklizené pracoviště nebo neosvětlený pracovní prostor může způsobit nehody.
- B. Nepracujte s tímto elektrickým nářadím v prostředí s nebezpečím výbuchu, které obsahuje napřamphořlavé kapaliny, plyny nebo prach. Když je elektrické nářadí v provozu, vznikají jiskry, které mohou způsobit vznícení.
- C. Při používání spotřebiče dbejte na to, aby se děti a ostatní kolemjdoucí drželi v bezpečné vzdálenosti. Rozptýlení může způsobit, že ztratíte kontrolu nad nářadím.

2. Elektrická bezpečnost

- A. Zástrčka elektrického nářadí musí odpovídat zásuvce. Zástrčku žádným způsobem neupravujte. Adaptérové zástrčky se nesmí používat u elektrického nářadí s ochranným uzemněním. Nezměněné zástrčky a odpovídající zásuvky snižují riziko úrazu elektrickým proudem.

- B. Vyvarujte se kontaktu s uzemněnými povrchy, jako jsou potrubí, radiátory, sporáky a chladničky. Riziko úrazu elektrickým proudem je větší, když je tělo uživatele uzemněno.
- C. Zařízení musí být chráněno před deštěm a vlhkostí. Pokud se do elektrického nářadí dostane voda, zvyšuje se riziko úrazu elektrickým proudem.
- D. Nikdy nepoužívejte kabel k jiným činnostem. Nikdy nepřenášejte elektrické nářadí za kabel ani nepoužívejte kabel k zavěšení spotřebiče; Nevytahujte zástrčku ze zásuvky taháním za kabel. Kabel by měl být chráněn před vysokými teplotami, mimo dosah oleje, ostrých hran nebo pohyblivých částí zařízení. Poškozené nebo zamotané kabely zvyšují riziko úrazu elektrickým proudem.
- E. Při práci s elektrickým nářadím pod širým nebem používejte prodlužovací kabel, který je vhodný i pro venkovní použití. Použití správného prodlužovacího kabelu (vhodného pro venkovní použití) snižuje riziko úrazu elektrickým proudem.
- F. Pokud je nevyhnutelné používat elektrické nářadí ve vlhkém prostředí, použijte proudový chránič. Použití proudového chrániče snižuje riziko úrazu elektrickým proudem.

3. Osobní bezpečí

- A. Při práci s elektrickým nářadím buďte opatrní a každou operaci provádějte opatrně a opatrně. Elektrické nářadí nepoužívejte, jste-li unavení nebo pod vlivem drog, alkoholu nebo léků. Chvilka nepozornosti s elektrickým nářadím může způsobit vážné zranění.
- B. Vždy používejte osobní ochranné prostředky a ochranné brýle. Nošení osobních ochranných prostředků – protiprachové masky, obuvi s protiskluzovou podrážkou, ochranné přilby nebo ochrany sluchu (v závislosti na typu a použití elektrického nářadí) – snižuje riziko zranění osob.
- C. Je třeba se vyvarovat neúmyslného spuštění nástroje. Před zasunutím zástrčky do zásuvky a/nebo připojením k akumulátoru, jakož i před zvednutím nebo přemístěním elektrického nářadí se ujistěte, že je elektrické nářadí vypnuté. Držení prstu na spínači při přemísťování elektrického nářadí nebo připojování elektrického nářadí může způsobit nehodu.
- D. Před zapnutím elektrického nářadí odstraňte seřizovací nástroje nebo klíče. Nástroj nebo klíč nacházející se v pohyblivých částech spotřebiče může vést ke zranění osob.
- E. Je třeba se vyvarovat nepřírodných pracovních poloh. Je důležité udržovat stabilní pracovní polohu a rovnováhu. Tímto způsobem bude možné lépe ovládat elektrické nářadí v nepředvídaných situacích.
- F. Je třeba nosit vhodné oblečení. Nenoste volné oblečení nebo šperky. Udržujte vlasy, oděv a rukavice v dostatečné vzdálenosti od pohyblivých částí. Volné oblečení, šperky nebo dlouhé vlasy se mohou zachytit pohyblivými částmi.
- G. Pokud je možné nainstalovat zařízení pro odsávání a zachycování prachu, ujistěte se, že jsou připojena a budou správně používána. Použití zařízení pro odsávání prachu může snížit nebezpečí prachu.

4. Správná manipulace a obsluha elektrického nářadí

- A. Nepřetěžujte zařízení. K provozu by mělo být používáno elektrické nářadí, které je k tomuto účelu určeno. Se správným elektrickým nářadím pracujete lépe a bezpečněji v daném rozsahu výkonu.
- B. Nepoužívejte elektrické nářadí, jehož vypínač je poškozený. Elektrické nářadí, které nelze zapnout nebo vypnout, je nebezpečné a musí být opraveno.
- C. Před seřizováním spotřebiče, výměnou nástavců nebo po zastavení provozu s nářadím vytáhněte zástrčku ze zásuvky a/nebo vyjměte baterii. Toto opatření zabraňuje neúmyslnému zapnutí elektrického nářadí.

- D. Pokud elektrické nářadí nepoužíváte, uchovávejte jej mimo dosah dětí. Nezpřístupňujte nástroj lidem, kteří s ním nejsou obeznámeni nebo si tato pravidla nepřečetli. Elektrické nářadí používané nezkušenými osobami je nebezpečné.
- E. Správná údržba elektrického nářadí je nezbytná. Zkontrolujte, zda pohyblivé části spotřebiče fungují správně a nejsou blokovány, nebo zda nejsou prasklé nebo poškozené způsobem, který by ovlivnil správnou funkci elektrického nářadí. Poškozené díly musí být před použitím spotřebiče opraveny. Mnoho nehod je způsobeno nesprávnou údržbou elektrického nářadí.
- F. Elektrické nářadí, nástavce, pomocné nástroje atd. by měly být používány v souladu s těmito doporučeními. Je třeba vzít v úvahu podmínky a druh práce, která má být provedena. Nesprávné použití elektrického nářadí může vést k nebezpečným situacím.

5. Služba

- A. Nechte své elektrické nářadí opravovat pouze kvalifikovaným odborníkem a s použitím originálních náhradních dílů. Tím je zajištěno, že bezpečnost zařízení zůstane zachována.

NEBEZPEČÍ POŽÁRU A VÝBUCHU



Hořlavé výpary z rozpouštědel a barev v pracovním prostoru se mohou vznítit nebo explodovat. Abyste zabránili vypuknutí požáru nebo výbuchu, měli byste:



1. Vyhněte se práci v blízkosti hořlavých a hořlavých materiálů v blízkosti otevřeného ohně nebo zdrojů vznícení, jako jsou cigarety, venkovní motory a další elektrické spotřebiče.
2. Statická elektřina představuje riziko požáru nebo výbuchu v přítomnosti výparů barev nebo rozpouštědel.
3. Zkontrolujte, zda jsou všechny nádoby a sběrné systémy uzemněny, aby se zabránilo statickému výboji. Nepoužívejte obložení kbelíku, pokud není antistatické nebo vodivé.
4. V tomto prostoru udržujte dostatečný průtok čerstvého vzduchu.
5. Nekuřte cigarety v pracovním prostoru.
6. V pracovní oblasti nepoužívejte spínače světel, motory nebo podobné produkty generující jiskry.
7. Udržujte oblast v čistotě. Nesmí obsahovat hořlavé materiály.
8. Viz všechny bezpečnostní listy (MSDS) a nálepky na obalech.
9. Na místě by mělo být funkční hasicí zařízení.
10. Zařízení generuje jiskry. Pokud se ve spotřebiči nebo v jeho blízkosti používá hořlavá kapalina, udržujte spotřebič ve vzdálenosti alespoň 6 m od výbušných výparů.



ELEKTRICKÁ BEZPEČNOST



1. Zástrčka elektrického nářadí musí odpovídat zásuvkám. Je zakázáno plugin jakkoliv upravovat. K uzemněnému elektrickému nářadí nepřipojujte žádné adaptéry (adaptéry). Použití neupravených zástrček a namontovaných zásuvek snižuje pravděpodobnost úrazu elektrickým proudem.
2. Uzemněné nástroje musí být připojeny k řádně nainstalované a uzemněné zásuvce v souladu se všemi normami a nařízeními. Je zakázáno odstraňovat uzemňovací zástrčku nebo zástrčku jakkoli upravovat. Nepoužívejte žádné adaptéry. Máte-li pochybnosti o tom, zda je zásuvka správně

uzemněna, poradte se s kvalifikovaným elektrikářem. Pokud elektrické nářadí začne běžet nesprávně nebo se rozbije, uzemnění poskytuje způsob, jak se elektrina s nízkým odporem rozptýlit od uživatele.

3. Vyvarujte se tělesného kontaktu s uzemněnými povrchy, jako jsou potrubí, topná tělesa, chladničky. Když je tělo uživatele uzemněno, zvyšuje se pravděpodobnost úrazu elektrickým proudem.
4. Nevystavujte elektrické nářadí dešti nebo vlhkosti. Vniknutí vody do elektrického nářadí zvyšuje riziko úrazu elektrickým proudem.
5. Používejte kabely k určenému účelu. Nikdy nepoužívejte kabeláž k přenášení, přetahování nebo odpojování elektrického nářadí ze zásuvky. Chraňte kabel před teplem, olejem, ostrými hranami a pohyblivými částmi. Poškozené kabely okamžitě vyměňte. Poškozené nebo zamotané kabely zvyšují riziko úrazu elektrickým proudem.
6. Při používání elektrického nářadí venku používejte prodlužovací kabely vhodné pro venkovní použití. Použití kabelů přizpůsobených pro venkovní použití snižuje pravděpodobnost úrazu elektrickým proudem



NEBEZPEČÍ POHYBLIVÝCH ČÁSTÍ

Pohyblivé části mohou skřípnout, pořezat nebo pořezat prsty a další části těla.



1. Uchovávejte mimo dosah pohyblivých částí.
2. Neprovozujte zařízení bez nasazených ochranných krytů a krytů.
3. Zařízení pod napětím se může spustit bez varování. Před kontrolou, přemístováním nebo údržbou zařízení odpojte všechny zdroje napájení.

NEBEZPEČÍ ZPŮSOBENÉ NESPRÁVNÝM POUŽÍVÁNÍM SPOTŘEBIČE

Nesprávné použití zařízení může vést k úmrtí nebo invaliditě.



1. Při práci vždy používejte vhodné rukavice, oční štít a respirátor nebo masku.
2. Nepoužívejte spotřebič a nepracujte v blízkosti dětí. Udržujte děti mimo dosah spotřebiče.
3. Nepřekračujte normální rozsah a neumísťujte zařízení na nestabilní zem. Musí být zachováno správné držení těla a rovnováha.
4. Musíte zůstat soustředění a soustředit se na daný úkol.
5. Nenechávejte spotřebič bez dozoru, pokud je připojen ke zdroji napájení. Pokud zařízení nepoužíváte, vypněte jej a proveďte dekompresní postup.
6. Zařízení nepoužívejte, jste-li unavení nebo pod vlivem drog nebo alkoholu.
7. Hadici neohýbejte ani příliš neohýbejte.
8. Nevystavujte kabel teplotám nebo objtages překračující hodnoty doporučené společností WABROTECH
9. Nepoužívejte kabel k přemístování nebo zvedání zařízení.

OSOBNÍ OCHRANNÝ PROSTŘEDEK



Při pobytu v pracovní oblasti používejte vhodné ochranné prostředky, abyste předešli vážným zraněním, včetně poranění očí, ztráty sluchu, toxických výparů a popálenin.



Tato opatření zahrnují mimo jiné: ochranné brýle, dýchací přístroje, ochranný oděv a rukavice v souladu s doporučeními výrobce kapalin a rozpouštědel.



Při manipulaci s elektrickým nářadím buďte ostražití, dávejte pozor na to, co děláte, a používejte zdravý rozum. Elektrické nářadí nepoužívejte, jste-li unavení nebo pod vlivem drog, alkoholu nebo léků. Chvilka nepozornosti při manipulaci s elektrickým nářadím může vést k vážnému zranění.

7. Používejte bezpečnostní vybavení. Vždy používejte ochranné brýle. Ochranná opatření, jako je protiprachová maska, protiskluzová obuv, ochranná přilba nebo chrániče sluchu, při správném použití omezí zranění osob.

1. Vyvarujte se náhodného přepnutí. Před zapojením spotřebiče do zásuvky se ujistěte, že je jistič v poloze OFF. Přiložení prstu na spínač při manipulaci nebo zapojování spotřebičů s jističem v poloze ON zvyšuje riziko nehod.
2. Před zapnutím spotřebiče vyjměte seřizovací klíč. Klíč připevněný k rotující části nástroje může způsobit zranění.
3. Nepřepínejte se. Během provozu zaujměte stabilní polohu. Tím je zajištěna lepší kontrola nad elektrickým nářadím v případě neočekávaných situací.
4. Noste vhodné oblečení. Nenoste volné části oblečení nebo šperky. Udržujte vlasy, oděv a rukavice v dostatečné vzdálenosti od pohyblivých částí. Volné oblečení, šperky nebo dlouhé vlasy se mohou zachytit a uvíznout v pohyblivých částech.
5. Pokud jsou dodány přístroje na odsávání a sběr prachu, ujistěte se, že jsou připojeny a správně používány. Použití těchto zařízení může snížit riziko spojené s prachem.

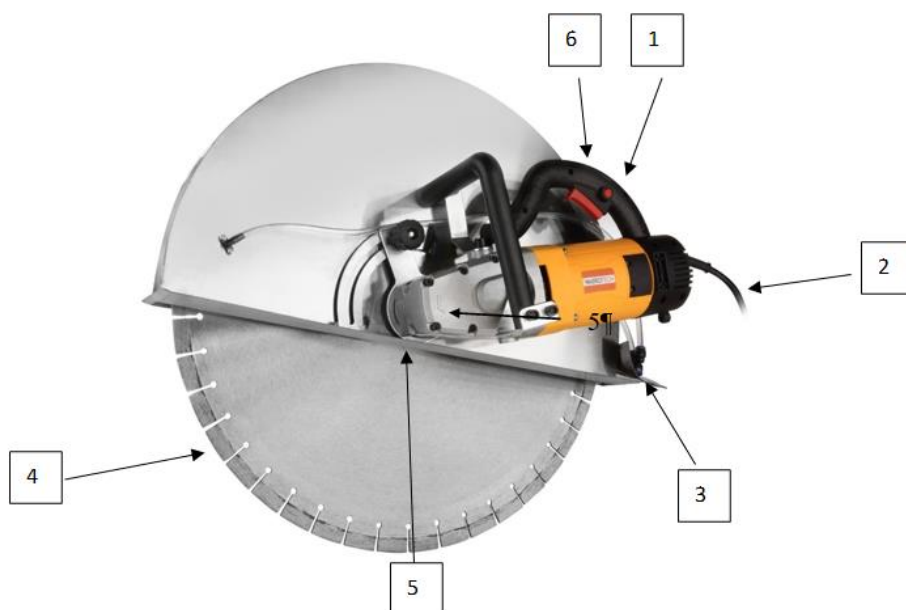
PŘIPOJENÍ K NAPÁJENÍ



Síťové napětí musí odpovídat napětí uvedenému na typovém štítku spotřebiče. Za žádných okolností nepoužívejte nářadí, pokud je poškozen napájecí kabel. Poškozený kabel musí být okamžitě vyměněn autorizovaným zákaznickým servisním střediskem. Nepokoušejte se opravit poškozený kabel sami. Použití poškozených napájecích kabelů může vést k úrazu elektrickým proudem.

Důležité: používejte pouze třívodičový prodlužovací kabel, který má uzemňovací zástrčku se dvěma kolíky a otvorem a zásuvku, do které lze zasunout zástrčku spotřebiče, se dvěma otvory a kolíkem. Ujistěte se, že je prodlužovací kabel v dobrém stavu. Při použití prodlužovacího kabelu byste si měli být jisti, že má dostatečné parametry pro vedení proudu, který může zařízení odebírat. Kabel s příliš slabými parametry způsobí pokles síťového napětí, což má za následek ztráty energie a přehřátí. Doporučuje se použít drát o průřezu 3 × 1,5 mm. Pokud má být prodlužovací kabel používán venku, musí být po určení typu vodiče označen WA. Například označení SJTW-A by znamenalo, že kabel je vhodný pro venkovní použití.

2. KONSTRUKCE WT620



1	Klika	Umožňuje vám přepravovat rezačku a bezpečně ji vést během provozu.
2	Napájecí kabel	Napájení 230V/ 40-60Hz
3	Připojení vody	Přivádí chladicí kapalinu k kotoučům.
4	Řezný kotouč na beton	Čepel 620 mm pro řezání betonu.
5	Připojení vody	Umožňuje vám připojit hadici přívodu vody k diskům stroje.
6	Bezpečnostní šroub	Šroub pro zajištění řezného kotouče.

3. TECHNICKÉ ÚDAJE

Model motoru/výkon	WT620 / 2600 W
Napětí / Frekvence / Pojistka	230V/40-60Hz/20C (Zkontrolujte typový štítek stroje)
Maximální hloubka řezu	260 mm
Maximální otáčky za minutu	2500 otáček za minutu
Měkký start	ANO
Prohlášení o ochraně osobních údajů	ANO
Sít'/ošklivá waga	19/23 kg

4. ÚČEL STROJE NA ŘEZÁNÍ BETONU

Řezačka betonu WT620 2600 W je určena pro práce, které zahrnují vytváření výřezů ve zdivu nebo řezání tvrdých materiálů, jako je beton, dlažební kostky nebo přírodní kámen. Maximální hloubka řezu až 260 mm. Díky lehké konstrukci je zařízení extrémně ergonomické.

Zařízení je vybaveno sprinklerovým systémem. Díky tomuto systému se při řezání uvolňuje do vzduchu výrazně méně prachu a nože se jemně ochlazují, což zvyšuje jejich životnost. Pila materiál řezá, místo aby jej brousila. Ideální řešení, pokud chcete provádět téměř bezprašné řezání.

5. ELEKTRICKÁ SÍŤ

Před připojením stroje se ujistěte, že napájecí napětí odpovídá napětí uvedenému na štítku jmenovitá hodnota. Instalace napájecího stroje by měla být provedena s měděným vodičem s minimálním průřezem nejméně 2,5. Napájecí systém musí být vybaven dobře fungujícím ochranným systémem a musí splňovat požadavky bezpečnostních předpisů pro použití.

Umístěte elektrický kabel tak, aby během provozu vystaven poškození. Pokud potřebujete použít prodlužovací kabel, měli byste zvolit jeho délku, aby vám přebytek nepřekážel v práci. Prodlužovací kabel by měl být také vybaven ochranným vodičem. Nevypínejte zástrčku taháním za napájecí kabel.

V případě přerušení napájení a zastavení stroje je nutné uvolnit spínací tlačítko a vytáhnout zástrčku ze zásuvky. Jakmile určíte příčiny výpadku proudu a vyřešíte problém, můžete pokračovat v práci. Nenechávejte stroj bez dozoru, když je připojen k elektrické síti. V případě přerušení práce nebo po jejím ukončení je bezpodmínečně nutné odpojit stroj od sítě vytažením zástrčky ze zásuvky.

6. OBSLUHA SPOTŘEBIČE

1. Kontrolujeme technický stav zařízení z hlediska poškození. Pokud je vše vizuálně funkční, můžeme přistoupit k zapnutí stroje.
2. Vložte příslušný kotouč a utáhněte bezpečnostní šroub podložkou.
3. V případě potřeby připojte vysavač k vodě.
4. Zástrčka napájecího kabelu musí být zasunuta do zásuvky v souladu s bezpečnostními opatřeními.
5. Stiskněte tlačítko RESET na jističi zbytkového proudu.
6. Spusťte stroj na spínači a přiložte jej na opracovávaný povrch.
7. Po dokončení práce stiskněte tlačítko TEST na spínači zbytkového proudu, abyste přerušili proud v zařízení.
8. Vytáhněte zástrčku ze zásuvky.
9. Stroj vyčistíme od nečistot.

7. ODSTRAŇOVÁNÍ PROBLÉMŮ

Problém	Příčina	Řešení
Pila nefunguje	Napájecí kabel je špatně připojen nebo poškozen	Zasuňte zástrčku dále do zásuvky Zkontrolujte napájecí kabel a kontaktujte servis.
	V zásuvce není síťové napětí	Zkontrolujte napětí na zásuvce nebo zda nedošlo k vypnutí pojistky
	Opotřebované motorové kartáče	Vyměňte kartáče za nové
	Vadný spínač	Kontaktujte servis
	Vadný proudový chránič PRCD	Kontaktujte servis
	Vibrace	Zkontrolujte stav řezných kotoučů. V případě poškození vyměňte disk za nový

DEFINÍCIE PIKTOGRAMOV POUŽITÝCH V NÁVODE NA POUŽITIE:



PREČÍTAJTE SI PRÍRUČKU



POUŽÍVAJTE MASKY PROTI PRACHU



POUŽÍVAJTE PROSTRIEDKY NA OCHRANU OČÍ



NOSTE OCHRANNÉ RUKAVICE



POZNÁMKA! POUŽITE UZEMNENIE



Varovanie pred úrazom elektrickým prúdom



Varovanie pohyblivých častí



Skladujte oddelene a likvidujte v súlade s environmentálnymi normami



Varovanie pred nebezpečenstvom výbuchu



Dodržiujte pokyny označené týmto symbolom v texte!

1. BEZPEČNOSTNÉ TIPY



Všeobecné bezpečnostné pokyny pre elektrické náradie

Nezabudnite si prečítať všetky tipy a predpisy. Nedodržanie nižšie uvedených pokynov môže mať za následok úraz elektrickým prúdom, požiar a/alebo vážne zranenie osôb. Starostlivo dodržiavajte všetky predpisy a bezpečnostné pokyny pre ďalšie použitie. Ako sa používa v nasledujúcom texte, termín "elektrické náradie" sa vzťahuje na elektrické náradie, ktoré je napájané elektrickou energiou zo siete (pomocou napájacieho kábla) a na elektrické náradie, ktoré je napájané z batérií (bez napájacieho kábla).

1. Bezpečnosť na pracovisku

- A. Udržujte pracovnú stanicu čistú a dobre osvetlenú. Neupravené pracovisko alebo neosvetlený pracovný priestor môžu spôsobiť nehody.
- B. Toto elektrické náradie nepoužívajte v potenciálne výbušnom prostredí, ktoré obsahuje napríklad horľavé kvapaliny, plyny alebo prach. Keď je v prevádzke elektrické náradie, vytvárajú sa iskry, ktoré môžu spôsobiť vznietenie.
- C. Pri používaní spotrebiča sa uistite, že deti a ostatní okolostojaci sú v bezpečnej vzdialenosti. Rozptýlenie môže spôsobiť, že stratíte kontrolu nad nástrojom.

2. Elektrická bezpečnosť

- A. Zástrčka elektrického náradia sa musí zhodovať so zásuvkou. Zástrčku žiadnym spôsobom nemeňte. Zástrčky adaptéra sa nesmú používať pre elektrické náradie s ochranným uzemnením. Nevymenené zástrčky a zodpovedajúce zásuvky znižujú riziko úrazu elektrickým prúdom.

- B. Zabráňte kontaktu s uzemnenými povrchmi, ako sú potrubia, radiátory, kachle a chladničky. Riziko úrazu elektrickým prúdom je väčšie, keď je telo používateľa uzemnené.
- C. Zariadenie musí byť chránené pred dažďom a vlhkosťou. Ak voda vstúpi do elektrického náradia, zvyšuje sa riziko úrazu elektrickým prúdom.
- D. Kábel nikdy nepoužívajte na iné aktivity. Nikdy nenoste elektrické náradie za kábel ani nepoužívajte kábel na zavesenie spotrebiča; Tiež nevyťahujte zástrčku zo zásuvky ťahaním za kábel. Kábel by mal byť chránený pred vysokými teplotami, chránený pred olejom, ostrými hranami alebo pohyblivými časťami zariadenia. Poškodené alebo zamotané káble zvyšujú riziko úrazu elektrickým prúdom.
- E. Pri práci s elektrickým náradím na čerstvom vzduchu používajte predlžovací kábel, ktorý je vhodný aj na vonkajšie použitie. Použitie správneho predlžovacieho kábla (vhodného na vonkajšie použitie) znižuje riziko úrazu elektrickým prúdom.
- F. Ak je nevyhnutné používať elektrické náradie vo vlhkom prostredí, použite ochranné zariadenie proti zvyškovému prúdu. Použitie ističa zvyškového prúdu znižuje riziko úrazu elektrickým prúdom.

3. Osobná bezpečnosť

- A. Pri práci s elektrickým náradím buďte opatrní a každú operáciu vykonávajte opatrne a s opatrnosťou. Nepoužívajte elektrické náradie, keď ste unavení alebo pod vplyvom drog, alkoholu alebo liekov. Okamih nepozornosti s elektrickým náradím môže spôsobiť vážne zranenie osôb.
- B. Vždy noste osobné ochranné prostriedky a ochranné okuliare. Nosenie osobných ochranných prostriedkov – masky proti prachu, obuvi s protišmykovou podrážkou, tvrdého klobúka alebo ochrany sluchu (v závislosti od typu a použitia elektrického náradia) – znižuje riziko zranenia osôb.
- C. Malo by sa zabrániť neúmyselnému spusteniu nástroja. Pred zasunutím zástrčky do zásuvky a/alebo pripojením k akumulátoru, ako aj pred zdvihnutím alebo premiestnením elektrického náradia skontrolujte, či je elektrické náradie vypnuté. Držanie prsta na spínači pri pohybe elektrického náradia alebo zapojení elektrického náradia môže spôsobiť nehodu.
- D. Pred zapnutím elektrického náradia odstráňte nastavovacie nástroje alebo kľúče. Nástroj alebo kľúč nájdený v pohyblivých častiach spotrebiča môže viesť k zraneniu osôb.
- E. Je potrebné vyhnúť sa neprirodzeným pracovným polohám. Je dôležité udržiavať stabilnú pracovnú polohu a rovnováhu. Týmto spôsobom bude možné lepšie ovládať elektrické náradie v nepredvídaných situáciách.
- F. Malo by sa nosiť vhodné oblečenie. Nenoste voľné oblečenie alebo šperky. Vlasy, oblečenie a rukavice uchovávajte mimo pohyblivých častí. Voľné oblečenie, šperky alebo dlhé vlasy sa môžu zachytiť v pohyblivých častiach.
- G. Ak je možné nainštalovať zariadenia na odsávanie a zachytávanie prachu, uistite sa, že sú pripojené a budú sa používať správne. Použitie zariadenia na odsávanie prachu môže znížiť nebezpečenstvo prachu.

4. Správna manipulácia a obsluha elektrického náradia

- A. Zariadenie nepreťažujte. Elektrické náradie, ktoré je k dispozícii na tento účel, by sa malo používať na prevádzku. So správnym elektrickým náradím pracujete lepšie a bezpečnejšie v danom výkonnostnom rozsahu.
- B. Nepoužívajte elektrické náradie, ktorého vypínač je poškodený. Elektrické náradie, ktoré sa nedá zapnúť alebo vypnúť, je nebezpečné a musí sa opraviť.

- C. Pred nastavením spotrebiča, výmenou prídavných zariadení alebo po ukončení prevádzky s nástrojom vytiahnite zástrčku zo zásuvky a/alebo vyberte akumulátor. Toto preventívne opatrenie zabraňuje neúmyselnému zapnutiu elektrického náradia.
- D. Elektrické náradie uchovávajte mimo dosahu detí, keď ho nepoužívate. Nástroj nesprístupňujte ľuďom, ktorí s ním nie sú oboznámení alebo si tieto pravidlá neprečítali. Elektrické náradie používané neskúsenými ľuďmi je nebezpečné.
- E. Je potrebná správna údržba elektrického náradia. Skontrolujte, či pohyblivé časti spotrebiča fungujú správne a nie sú zablokované, alebo či časti nie sú prasknuté alebo poškodené spôsobom, ktorý by ovplyvnil správnu činnosť elektrického náradia. Poškodené časti musia byť pred použitím spotrebiča opravené. Mnoho nehôd je spôsobených nesprávnou údržbou elektrického náradia.
- F. Elektrické náradie, prídavné zariadenia, pomocné nástroje atď. by sa mali používať v súlade s týmito odporúčaniami. Musia sa zohľadniť podmienky a druh práce, ktorá sa má vykonať. Zneužitie elektrického náradia môže viesť k nebezpečným situáciám.

5. Služba

- A. Elektrické náradie si nechajte opraviť iba kvalifikovaným odborníkom a pomocou originálnych náhradných dielov. Tým sa zabezpečí zachovanie bezpečnosti zariadenia.

NEBEZPEČENSTVO POŽIARU A VÝBUCHU



Horľavé výpary z rozpúšťadiel a farieb v pracovnom priestore sa môžu vznietiť alebo explodovať. Aby ste zabránili vypuknutiu požiaru alebo výbuchu, mali by ste:



1. Vyhnite sa práci okolo horľavých a horľavých materiálov v blízkosti otvoreného ohňa alebo zdrojov vznietenia, ako sú cigarety, vonkajšie motory a iné elektrické spotrebiče.
2. Statická elektrina predstavuje riziko požiaru alebo výbuchu v prítomnosti pár farby alebo rozpúšťadla.
3. Skontrolujte, či sú všetky kontajnery a zberné systémy uzemnené, aby sa zabránilo statickému vypúšťaniu. Nepoužívajte podšívky vedier, ak nie sú antistatické alebo vodivé.
4. V tomto priestore udržiavajte dostatočný prúd čerstvého vzduchu.
5. Nefajčite cigarety v pracovnom priestore.
6. V pracovnom priestore nepoužívajte vypínače svetla, motory ani podobné produkty vytvárajúce iskry.
7. Udržiavajte oblasť čistú. Nesmie obsahovať horľavé materiály.
8. Pozrite si všetky karty bezpečnostných údajov (KBÚ) a nálepky na kontajneroch.
9. Na mieste by mali byť funkčné hasiace zariadenia.
10. Zariadenie generuje iskry. Ak sa v spotrebiči alebo v jeho blízkosti používa horľavá kvapalina, udržiavajte prístroj najmenej 6 m od výbušných pár.



ELEKTRICKÁ BEZPEČNOSŤ



1. Zástrčky elektrického náradia sa musia zhodovať so zásuvkami. Je zakázané plugin akýmkoľvek

spôsobom upravovať. K uzemnenému elektrickému náradiu nepripájajte žiadne adaptéry (adaptéry). Použitie nemodifikovaných zástrčiek a namontovaných zásuviek znižuje pravdepodobnosť úrazu elektrickým prúdom.

2. Uzemnené nástroje musia byť pripojené k správne nainštalovanej a uzemnenej zásuvke v súlade so všetkými normami a nariadeniami. Je zakázané odstraňovať uzemňovaciu zástrčku alebo ju akýmkoľvek spôsobom upravovať. Nepoužívajte žiadne zástrčkové adaptéry. Ak máte pochybnosti o tom, či je zásuvka správne uzemnená, obráťte sa na kvalifikovaného elektrikára. Ak elektrické náradie začne pracovať nesprávne alebo sa zlomí, uzemnenie poskytuje spôsob, ako sa elektrina s nízkym odporom rozptýliť od používateľa.
3. Zabráňte kontaktu tela s uzemnenými povrchmi, ako sú potrubia, ohrievače, chladničky. Keď je telo používateľa uzemnené, zvyšuje sa pravdepodobnosť úrazu elektrickým prúdom.
4. Elektrické náradie nevystavujte dažďu ani vlhkosti. Voda vstupujúca do elektrického náradia zvyšuje riziko úrazu elektrickým prúdom.
5. Káble používajte podľa určenia. Nikdy nepoužívajte káble na prenášanie, ťahanie alebo odpájanie elektrického náradia zo zásuvky. Kábel chráňte pred teplom, olejom, ostrými hranami a pohyblivými časťami. Poškodené káble okamžite vymeňte. Poškodené alebo zamotané káble zvyšujú riziko úrazu elektrickým prúdom.
6. Pri používaní elektrického náradia vonku používajte predĺžovacie káble vhodné na vonkajšie použitie. Použitie káblov prispôbených na vonkajšie použitie znižuje pravdepodobnosť úrazu elektrickým prúdom.



NEBEZPEČENSTVO POHYBLIVÝCH ČASŤÍ

Pohyblivé časti môžu zviazať, rezať alebo rezať prsty a iné časti tela.



1. Chráňte sa mimo pohyblivých častí.
2. Nepoužívajte zariadenie bez nasadených ochranných krytov a krytov.
3. Vybavenie pod napätím sa môže spustiť bez varovania. Pred kontrolou, premiestnením alebo údržbou zariadenia odpojte všetky zdroje napájania.

NEBEZPEČENSTVO Z NESPRÁVNEHO POUŽÍVANIA SPOTREBIČA

Nesprávne používanie zariadenia môže viesť k smrti alebo invalidite.



1. Pri práci vždy používajte vhodné rukavice, štít na oči a respirátor alebo masku.
2. Nepoužívajte prístroj ani nepracujte v blízkosti detí. Udržujte deti mimo dosahu spotrebiča.
3. Neprekračujte normálny rozsah ani neumiestňujte zariadenie na nestabilnú zem. Musí sa udržiavať dobré držanie tela a rovnováha.
4. Musíte zostať sústredení a sústrediť sa na danú úlohu.
5. Nenechávajte spotrebič bez dozoru, kým je pripojený k zdroju napájania. Keď sa zariadenie nepoužíva, vypnite ho a vykonajte postup dekompresie.
6. Nepoužívajte zariadenie, keď ste unavení alebo pod vplyvom drog alebo alkoholu.

7. Hadicu neohýbajte ani neprehýbajte.
8. Kábel nevystavujte teplotám ani napätiam, ktoré prekračujú hodnoty odporúčané spoločnosťou WABROTECH
9. Kábel nepoužívajte na premiestňovanie ani zdvíhanie zariadenia.

OSOBNÉ OCHRANNÉ PROSTRIEDKY



Počas pobytu v pracovnom priestore noste vhodné ochranné prostriedky, aby ste predišli vážnym zraneniam vrátane poranenia očí, straty sluchu, toxických výparov a popálenín.



Tieto opatrenia zahŕňajú, ale nie sú obmedzené na: ochranné okuliare, dýchacie prístroje, ochranný odev a rukavice v súlade s odporúčaniami výrobcu tekutín a rozpúšťadiel.



Pri manipulácii s elektrickým náradím buďte ostražití, sledujte, čo robíte a používajte zdravý rozum. Nepoužívajte elektrické náradie, keď ste unavení alebo pod vplyvom drog, alkoholu alebo liekov. Chvilka rozptýlenia pri manipulácii s elektrickým náradím môže mať za následok vážne zranenie.

6. Noste bezpečnostné vybavenie. Vždy noste ochranné okuliare. Ochranné opatrenia, ako je maska proti prachu, protišmyková obuv, tvrdý klobúk alebo chrániče sluchu, ak sa používajú správne, obmedzia zranenia osôb.
7. Zabráňte náhodnému prepnutiu. Pred zapojením spotrebiča sa uistite, že je istič v polohe VYPNUTÉ Položenie prsta na vypínač počas manipulácie alebo zapojenia spotrebičov s ističom v polohe ON zvyšuje riziko nehôd.
8. Pred zapnutím spotrebiča vyberte nastavovací kľúč. Kľúč pripevnený k rotujúcej časti nástroja môže mať za následok zranenie osôb.
9. Nepreťažujte sa. Počas prevádzky zaujmite stabilnú polohu. To zaisťuje lepšiu kontrolu elektrického náradia v prípade neočakávaných situácií.
10. Noste vhodné oblečenie. Nenoste voľné oblečenie alebo šperky. Vlasy, oblečenie a rukavice uchovávajú mimo pohyblivých častí. Voľné oblečenie, šperky alebo dlhé vlasy sa môžu zachytiť a uviaznuť v pohyblivých častiach.
11. Ak sa dodávajú nástroje na odsávanie a zber prachu, uistite sa, že sú správne pripojené a používané. Používanie týchto zariadení môže znížiť riziko spojené s prachom.

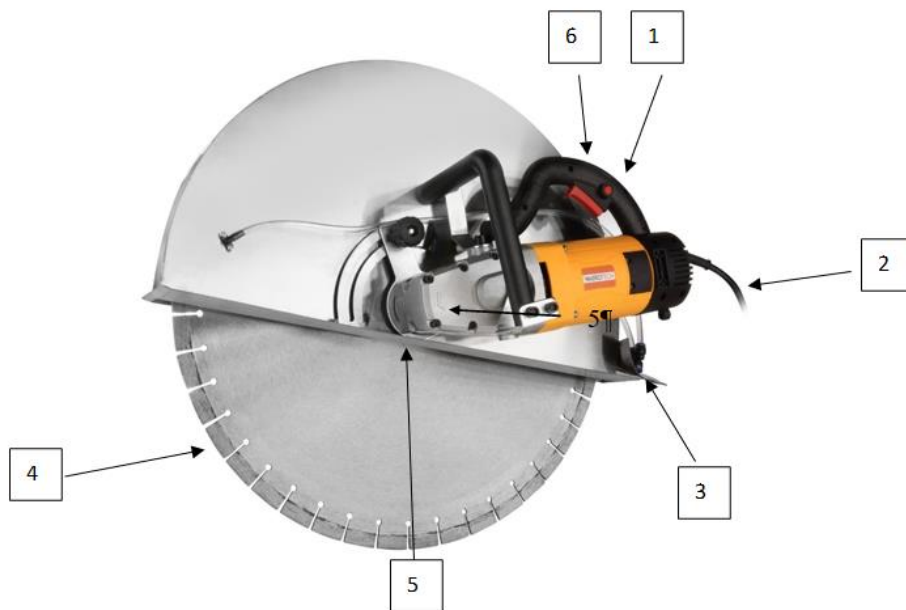
PRIPOJENIE K NAPÁJACIEMU ZDROJU



Sieťové napätie musí zodpovedať napätiu uvedenému na výkonovom štítku spotrebiča. Nástroj by sa za žiadnych okolností nemal používať, ak je poškodený napájací kábel. Poškodený kábel musí byť okamžite vymenený autorizovaným zákazníckym servisným strediskom. Nepokúšajte sa poškodený kábel opravovať sami. Použitie poškodených napájacích káblov môže viesť k úrazu elektrickým prúdom.

DÔLEŽITÉ: používajte iba trojvodičový predlžovací kábel, ktorý má uzemňovaciu zástrčku s dvoma kolíkmi a otvorom a zásuvkou, do ktorej je možné vložiť zástrčku spotrebiča, s dvoma otvormi a kolíkom. Skontrolujte, či je predlžovací kábel v dobrom stave. Pri používaní predlžovacieho kábla by ste si mali byť istí, že má dostatočné parametre na vedenie prúdu, ktorý môže zariadenie čerpať. Kábel s príliš slabými parametrami spôsobí pokles sieťového napätia, čo bude mať za následok straty energie a prehriatie. Odporúča sa použiť drôt s prierezom 3 × 1,5 mm. Ak sa má predlžovací kábel používať vonku, musí byť po určení typu drôtu označený W-A. Napríklad označenie SJTW-A by naznačovalo, že kábel je vhodný na vonkajšie použitie.

2. 2. KONŠTRUKCIA WT620



1	Držadlo	Umožňuje prepravovať frézu a bezpečne ju viesť počas prevádzky.
2	Napájací kábel	Napájanie 230V/ 40-60Hz
3	Prípojka vody	Dodáva chladiacu kvapalinu do diskov.
4	Kotúč na rezanie betónu	620 mm kotúč na rezanie betónu.
5	Prípojka vody	Umožňuje pripojiť hadicu na prívod vody k diskom stroja.
6	Bezpečnostná skrutka	Skrutkou zaistíte rezací kotúč.

3. TECHNICKÉ ÚDAJE

Model motora/výkon	WT620 / 2600 W
Napätie / frekvencia / poistka	230V/40-60Hz/20C (skontrolujte typový štítok stroja)
Maximálna hĺbka rezu	260 mm
Maximálne otáčky	2500 ot./min
Mäkký štart	ÁNO
PRCD	ÁNO
Čistá/škaredá waga	19/23 kg

4. ÚČEL STROJA NA REZANIE BETÓNU

Rezačka betónu WT620 2600 W je určená na práce, ktoré zahŕňajú vytváranie výklenkov v murive alebo rezanie tvrdých materiálov, ako je betón, dlažobné kocky alebo prírodný kameň. Maximálna hĺbka rezu až 260 mm. Vďaka ľahkej konštrukcii je zariadenie mimoriadne ergonomické na používanie.

Zariadenie je vybavené zavlažovacím systémom. Vďaka tomuto systému sa pri rezaní do vzduchu uvoľňuje podstatne menej prachu a čepele sa jemne ochladzujú, čo zvyšuje ich životnosť. Píla reže materiál namiesto brúsenia. Ideálne riešenie, ak chcete robiť takmer bezprašné rezanie.

5. NAPÁJACIA SIETĚ

Pred pripojením stroja sa uistite, že napájací objemtage zodpovedá objtage uvedené na štítku menovitá hodnota. Inštalácia napájajúca stroj by mala byť vyrobená s medeným vodičom s minimálnym prierezom najmenej 2,5. Napájací systém musí byť vybavený dobre fungujúcim ochranným systémom a musí spĺňať požiadavky bezpečnostných predpisov na používanie.

Elektrický kábel umiestnite tak, aby nebol počas prevádzky vystavený poškodeniu. Ak potrebujete použiť predlžovací kábel, mali by ste zvoliť jeho dĺžku tak, aby prebytok nezasahoval do vašej práce. Predlžovací kábel by mal byť tiež vybavený ochranným drôtom. Nevypínajte zástrčku ťahaním za napájací kábel.

V prípade prerušenia napájania a zastavenia stroja je potrebné uvoľniť vypínač a vytiahnuť zástrčku zo zásuvky. Po zistení príčin výpadku prúdu a vyriešení problému môžete pokračovať v práci. Nenechávajte stroj bez dozoru, keď je pripojený k elektrickej sieti. V prípade prerušenia práce alebo po jej dokončení je bezpodmienečne nutné odpojiť stroj od elektrickej siete vytiahnutím zástrčky zo zásuvky.

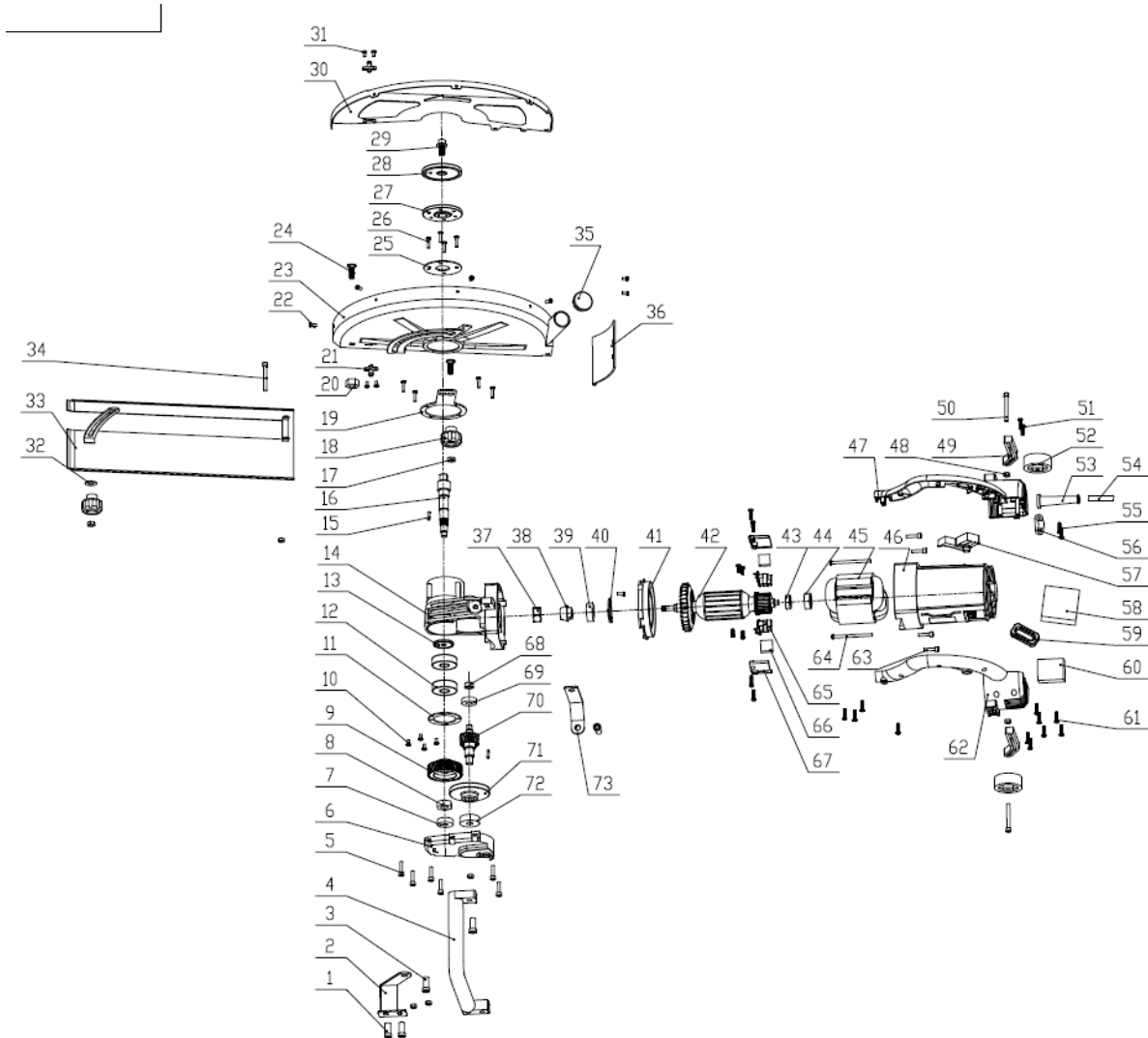
6. PREVÁDZKA SPOTREBIČA

1. Skontrolujeme technický stav zariadenia z hľadiska poškodenia. Ak je všetko vizuálne funkčné, môžeme pokračovať v zapnutí stroja.
2. Vložte príslušný kotúč a utiahnite bezpečnostnú skrutku podložkou.
3. V prípade potreby pripojte vysávač vodou.
4. Zástrčka napájacieho kábla musí byť zasunutá do zásuvky v súlade s bezpečnostnými opatreniami.
5. Stlačte tlačidlo RESET na prúdovom chrániči.
6. Spustíte stroj na spínači a naneste ho na povrch, ktorý sa má spracovať.
7. Po ukončení práce stlačte tlačidlo TEST na spínači zvyškového prúdu, aby ste prerušili prúd v zariadení.
8. Vytiahnite zástrčku zo zásuvky.
9. Stroj čistíme od nečistôt.

7. RIEŠENIE PROBLÉMOV

Problém	Dôvod	Riešenie
Píla nefunguje	Napájací kábel je zle pripojený alebo poškodený	Zatlačte zástrčku ďalej do zásuvky
		Skontrolujte napájací kábel a kontaktujte servis.
	V zásuvke nie je žiadne sieťové napätie	Skontrolujte napätie na výstupe alebo či sa poistka vypola
	Opotrebované motorové kefy	Vymeňte kefy za nové
	Chybný spínač	Kontaktujte servis
	Chybný prúdový chránič PRCD	Kontaktujte servis
	Vibrácia	Skontrolujte stav rezacích kotúčov. V prípade poškodenia vymeňte disk za nový

Diagram and CE Declaration





EC DECLARATION OF CONFORMITY

Producent : Wabro s. c., NIP 626 303 23 31 Arki Bożka 2A, 41-910 Bytom, **POLAND**

Product description: **Concrete cutter / Przecinarka do betonu/ Betonschneider / Coupeur de béton / Fréza na beton / Rezačka na betón**

Model No.: **WT620 (620-1)**

Serial No.: 001/2024 – 100/2024

We hereby declare that the listed above equipment is manufactured in accordance with the following EU Directives placed below :

2006/42/EC **MD – Machinery Directive**
2014/30/UE **EMC – Electromagnetic Compatibility**

and harmonised with these directives standards

EMC* **EN 55014-1:2017+A1+A2**
 EN 55014-2:2015
 EN 61000-3-2:2019
 EN 61000-3-3:2013
MD* **PN-EN ISO 12100:2012**
 EN 62841-1:2015/AC:2015
 EN 62841-3-6:2014/AC:2015

<p>Representative in the EU and authorized to compile the technical documentation</p> <p>WABRO s. c. Arki Bożka 2A 41-910 Bytom Polska Tel. 731 707 242</p>	<p>Issued by : WABRO s.c. Place, Date : Bytom, 29.07.2024</p> <p>Name, Surname : Mateusz Broszczak</p> <p>Position : CEO</p>
---	--

Mateusz Broszczak
CEO
29.07.2024 Bytom, Poland